

PLANTATION SHUTTERS



PRODUCT MANUAL

PRODUCT MANUAL

 Basswood
Premium

 Thermo
25

 Thermo
Select

 Thermo
TEC

CW_V1_03 2021

More information please contact
9624 0700 or visit www.cwsystems.com.au



TABLE OF CONTENTS

Panel Specification	4
Shutter colours Options	5
Blade Type Options	6
Tilt Rod Options	7
Stile Drawings Options	8
Frame Options	10
Measuring Instructions - Inside / Outside	14
Frame Depth Chart outside mount	15
Mounting Options	
Hinged Options	18
Bay Window Options	20
Corner Window Options	22
Tier on Tier Options	24
Fixed Options	26
Sliding Options	28
Bi Fold Options	34
Speciality Options	40
Quick Guide SPEC TABLE	48
Warranty and Service Care	50

NEW WEB PLATFORM WITH ONLINE ORDERING SYSTEM

CW systems™
GET IN TOUCH | (02) 9624 0700
Online Ordering System

Search

SECURE LOGIN

HOME Products Services Projects Valuable Tools About Us Contact

Plant Screens
ENHANCING ALPESCO LIVING
• Only requires 32mm reveal depth for easy fit
• Double screen is available up to 8m wide
• Australia Made and corrosion resistant

ONLINE ORDERING SYSTEM
www.cwsystems.com.au

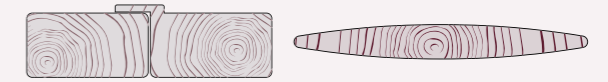
DESIGNED AND DEVELOPED BY **CW systems**

PRODUCT MATERIAL COMBINATIONS

Timber



Premium Basswood timber does not crack or dent easily and provides the option of unlimited decorative and shaped framing options. With a comprehensive palette of stained and painted colours, the possibilities are endless making Bayview the most bespoke shutter on the market.



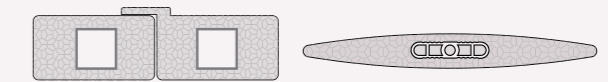
Thermopoly™



Thermo 25 poly planation shutters finished in 2pac paint and are hard wearing and moisture resistant which make them ideal for wet areas such as the bathroom, kids bedroom, kitchen and laundry. This poly product will not warp, crack or chip.



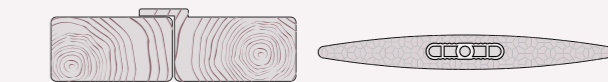
Thermo Select poly planation shutters are finished in water based paint. Hard wearing and moisture resistant which make them ideal for wet areas such as the bathroom, kids bedroom, kitchen and laundry. This poly product has select options giving you a cost effective window solution.



Hybrid Timber & Thermopoly™



Thermo Tec is a market leading specifically engineered hybrid product which combines premium Basswood and Thermo 25. With the Basswood advantage of decorative and shaped framing options and the benefit of hard wearing Thermo 25 poly blades, you can now have the best of both worlds.



Basswood & Thermo25

PANEL SPECIFICATION

GENERAL INFORMATION		Basswood Premium	Thermo Select+25	Thermo TEC
SPECIFICATIONS		Timber Shutters	Thermopoly™ Shutters	Hybrid Shutter
Hinged panel				
Max width standard		950mm	900mm	900mm
Max width 15mm blades + 51mm stiles		1050mm	not available	not available
Max width 15mm blades + 57mm stiles		1100mm	not available	not available
Bi fold panel max width (with track)		650mm	600mm	600mm
Double hinged max size per pair of panels		1200mm 1.8m ²	900mm 1.35m ²	900mm 1.35m ²
Sliding panels max width		1050mm	900mm	900mm
Sliding panels with centre stile max width		1250mm	not available	1250mm
Max panel height		3000mm	2400mm	2400mm
Mid-rail required panels over height		1800mm	1500mm	1600mm (recommended) 1800mm (required)
Second Midrail required		over 2400mm drop	not available	not available
Shortest possible panel - (check with us for blade quantity)		260mm	260mm	260mm
Narrowest possible panel		152mm	180mm	180mm
Clear View Tilt Rod Max Length		1200mm	1200mm	1200mm
Internal Tilt Max Panel Width		900mm	900mm	900mm
Internal Tilt Max Height without Tilt Split		12 louvres	12 louvres	12 louvres

*"Mid rails are recommended on all Thermo25 panels higher than 1600mm, the absence of mid rails may cause issues with closure particularly on wide double hinged panels. (LL or RR). Please also be advised that sagging on panels over 1600mm in height with no mid rail is not covered by warranty as this is outside of the specified product guidelines and intended product use."

COLOURS RANGES

Basswood Premium

Solid Paint Colours

White 101, Snow 105, Intense White 139, Swiss Coffee 107, Creamy 110, Butter 120, Super White 130, Pearl White 131, Eggshell 132, Pearl 133, Bristle Half 134, Antique White 136, White on White 137, Hogs Quarter 138, Chino 262, French Grey 261, Mist 260 (Grey P109), Stone Grey 259, Hogs Quarter 138, Chino 262, Custom Colour

Stain Colours

Black Paint 020, Nature 200, Oak 205, Rose 216, Mahogany 220, Black Walnut 230, Desert 252, Ash 253, Gumnut 254, Maple 256, Coffee Bean 258, Custom Stain

Thermo 25

Thermo TEC

Thermo Select

Solid Paint Colours

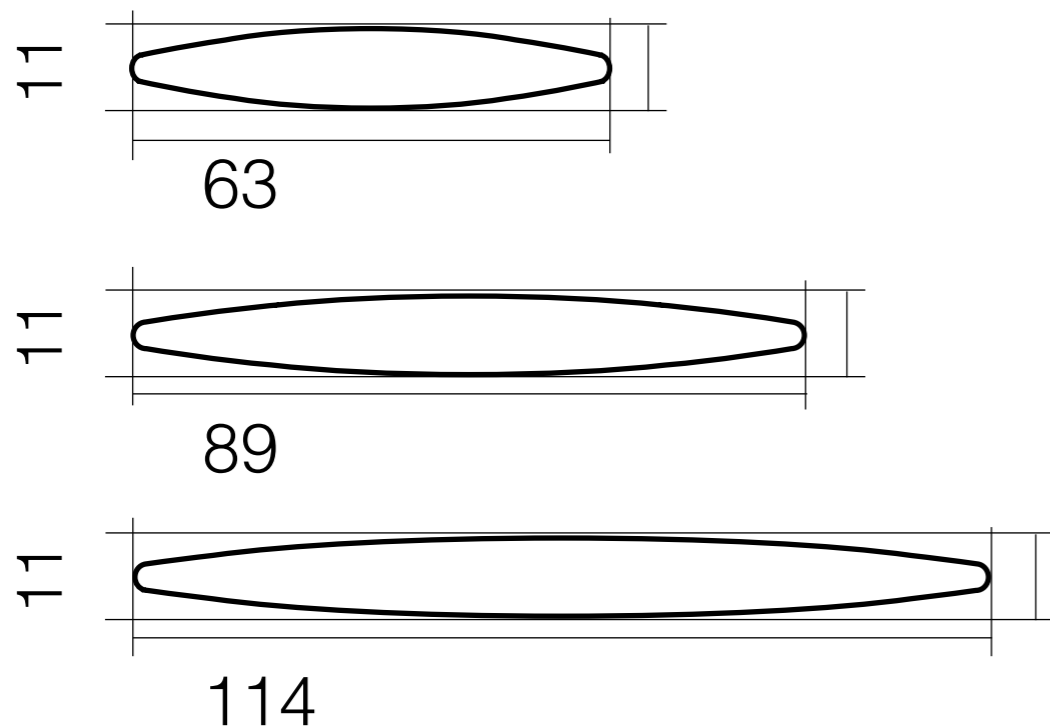
White 101, Intense White 139, Snow 105, Swiss Coffee 107, Butter 120, Creamy 110, Super White 130, Pearl White 131, Eggshell 132, Pearl 133, Bristle Half 134, Antique White 136, White on White 137, Chino 262, Hogs Quarter 138, French Grey 261, Mist 260 (Grey P109), Stone Grey 259, Custom Colour

Solid Paint Colours

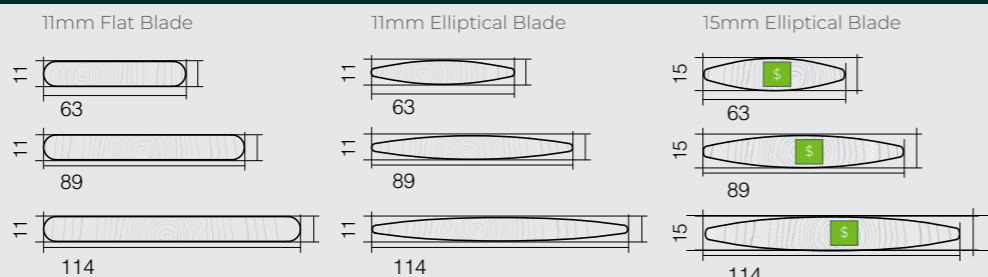
White TS1, Chalk TS2, Ice TS3, Off White TS4

BLADE SHAPE AND SIZES OPTIONS

SCALE 1:1 WHEN PRINTED AT 100%

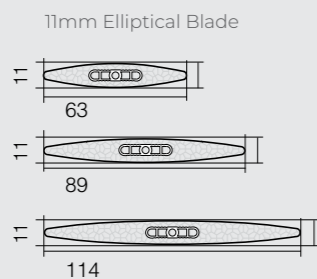


Timber Shutters



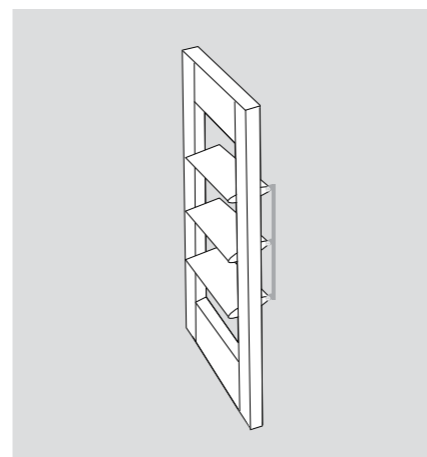
Note: A surcharge applies for 15mm thick blades, please refer to pricelist.

Thermopoly™ & Hybrid Shutters (Timber Frames and Thermo Blades)



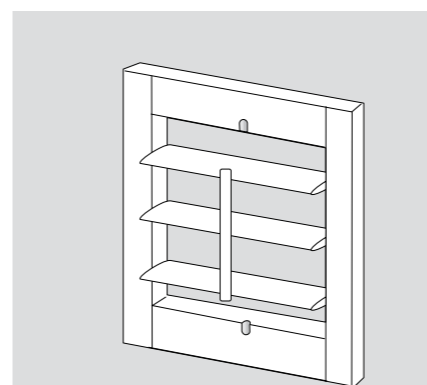
All Blades are reinforced with Aluminium Inserts

TILT ROD OPTIONS



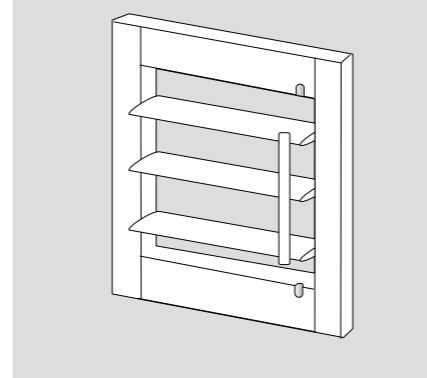
Clearview

Clearview tilt is a discreet aluminium rod that connects the louvres. Clearview tilt allows for the most adjustment in the closure of the louvers and is the easiest to service. The tiltrod is on the hinge side (unless requested otherwise). Any panel span over 1200mm in height will be split automatically (unless requested otherwise). The max possible span is 1500mm.



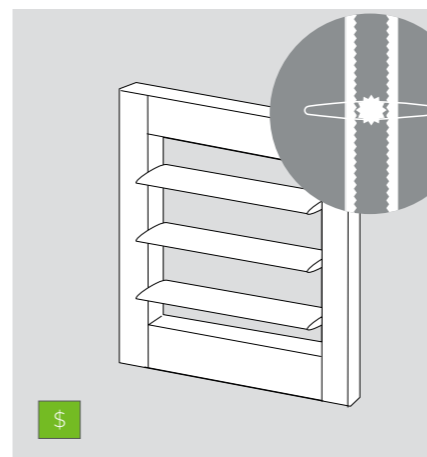
Centre tilt

Centre tilt is connected to louvres by stainless steel staples on the front of the panel. Centre tilt can span the max the panel can without a mid rail. The Tilt rod is generally in the centre of each panels.



Offset Tilt

Offset Tilt operates the same as Centre tilt only the tiltrod is installed 50mm in from the edge of the blade on the hinge side (unless requested otherwise).

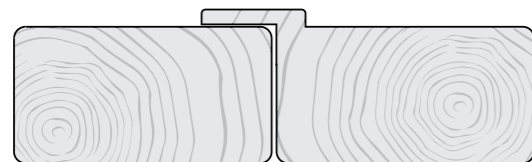


Internal Tilt

Internal Tilt has no visible tilt rod. The mechanism is inside the stile. It uses a rack & pinon system to connect the blades. Internal tilt max span is 12 louvres. Anything over that is not recommend and not covered by warranty. Internal tilt is a good option for room dividers where the panels are viewed from both sides.

STILE OPTIONS

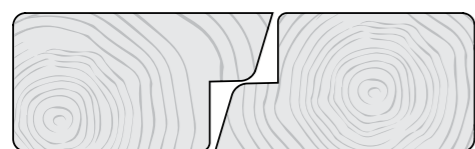
Timber	Hybrid



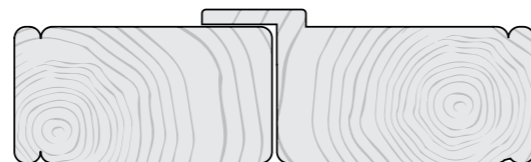
D Mould Stile - Flat



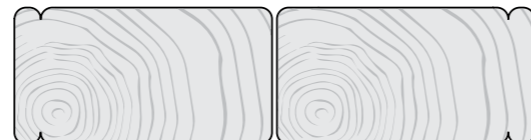
Square Stile - Flat



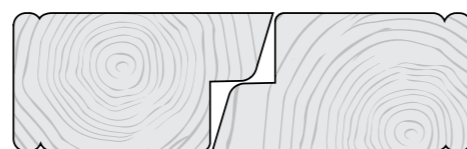
Rabbit Stile - Flat



D Mould Stile - Beaded



Square Stile - Beaded



Rabbit Stile - Beaded



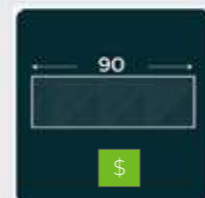
40mm



57mm



51mm

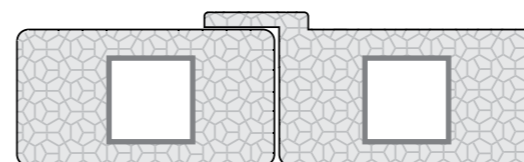


90mm

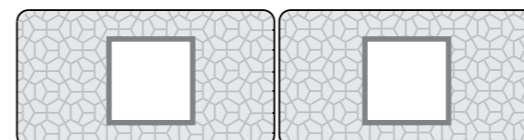


51mm

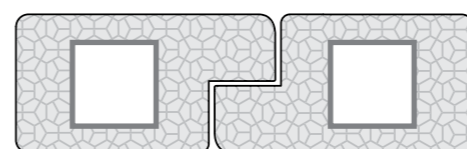
Thermopoly™
FRAMING OPTIONS



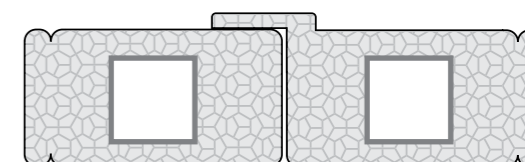
D Mould Stile - Flat



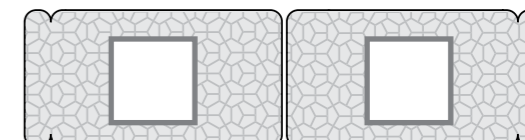
Square Stile - Flat



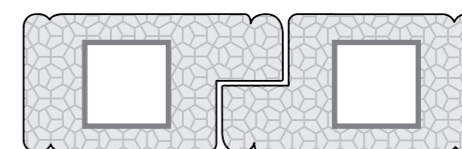
Rabbit Stile - Flat



D Mould Stile - Beaded



Square Stile - Beaded



Rabbit Stile - Beaded

Hint: Right open first...

When 2 panels are meeting together the default, for both D-mould and Rabbit stile, is to have the Right panel open first.

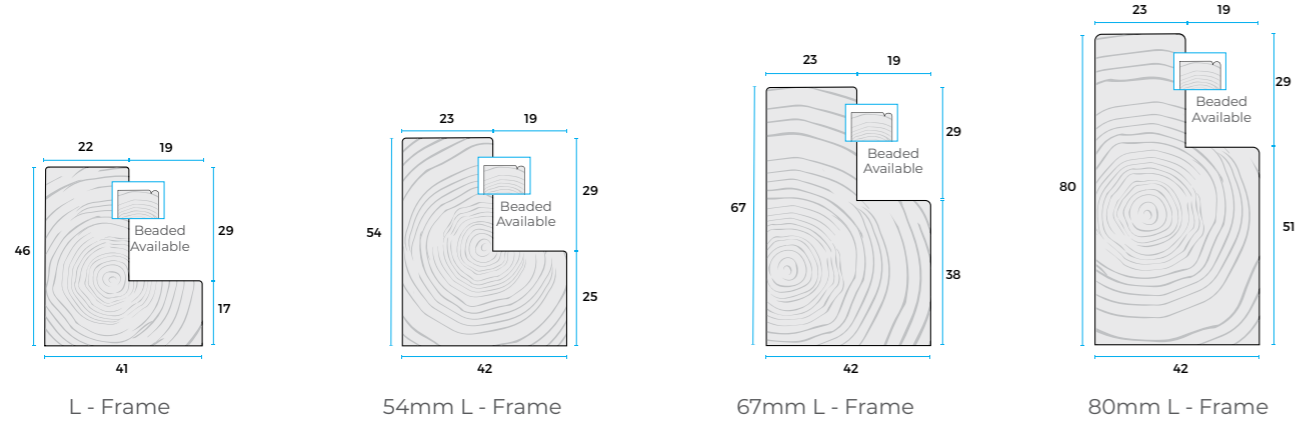


Solution....

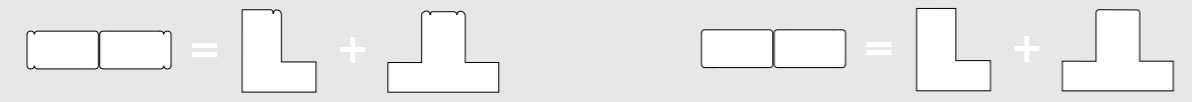
If want the left panel to open first tick the box that appears when you type LR in the layout code.



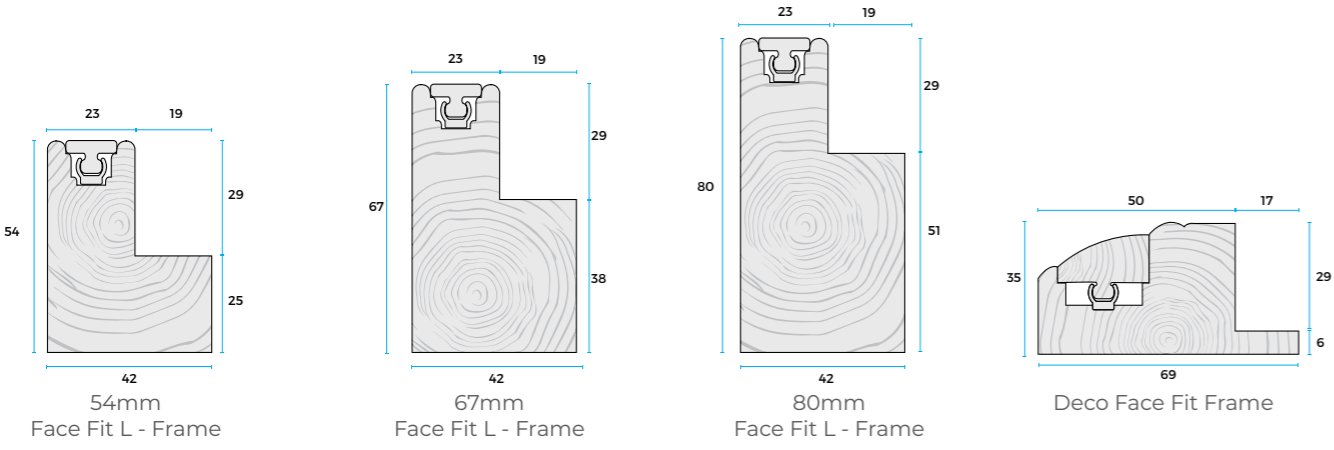
L FRAME_STANDARD



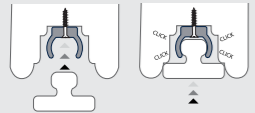
Selecting beaded stile option will automatically select beaded framing



L FRAME_FACE FIT



Face Fit System



The all new Face fit L frames have been designed with precision made plastic clips which grip onto the cover strip. This creates an easy to install bond, that wont fail over time.

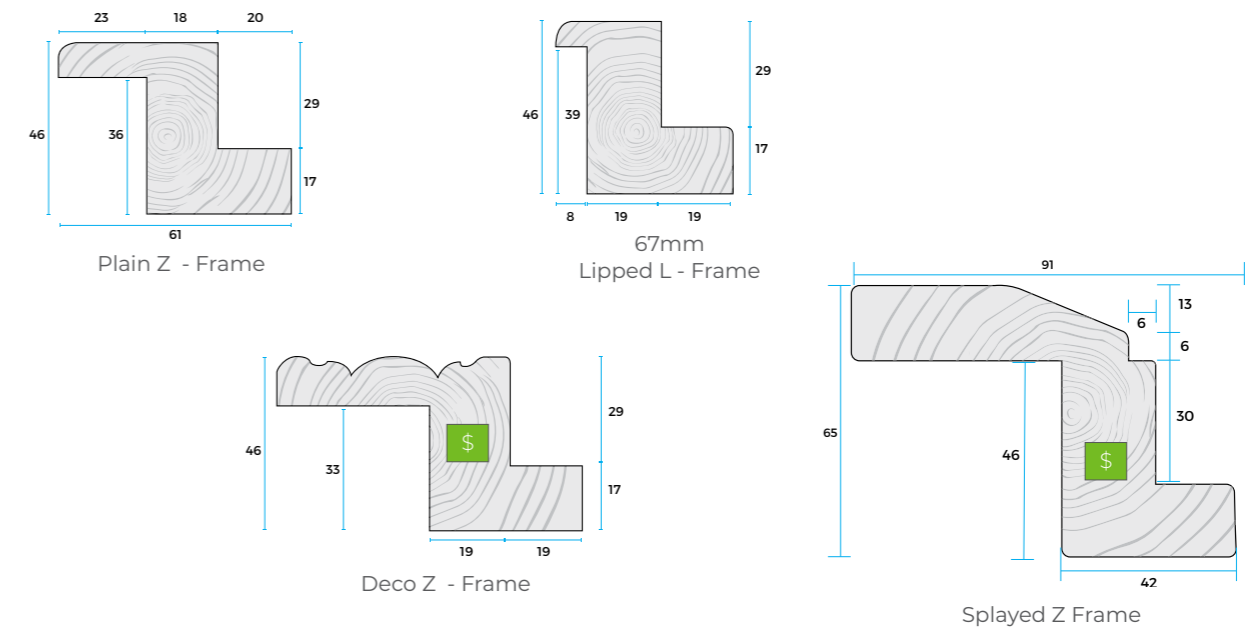
The Face Fit Frame & Hang Strips will be pre-drilled with a 4mm hole, in approx. 300mm intervals.

PLEASE NOTE:

Basswood framing can also be used with Thermo 25 panels, at the customers own discretion, considering if it is suitable in wet areas etc.

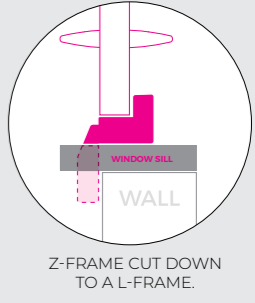
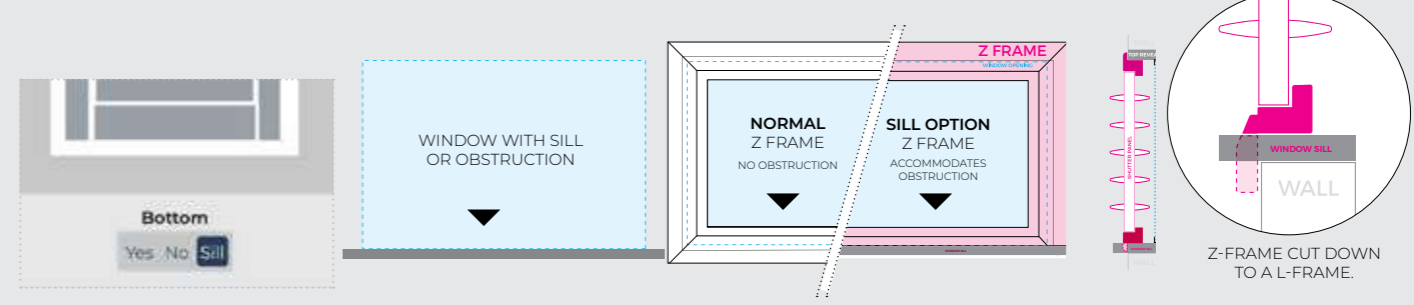
\$ *Surcharge applies – See Price List.

Z FRAME

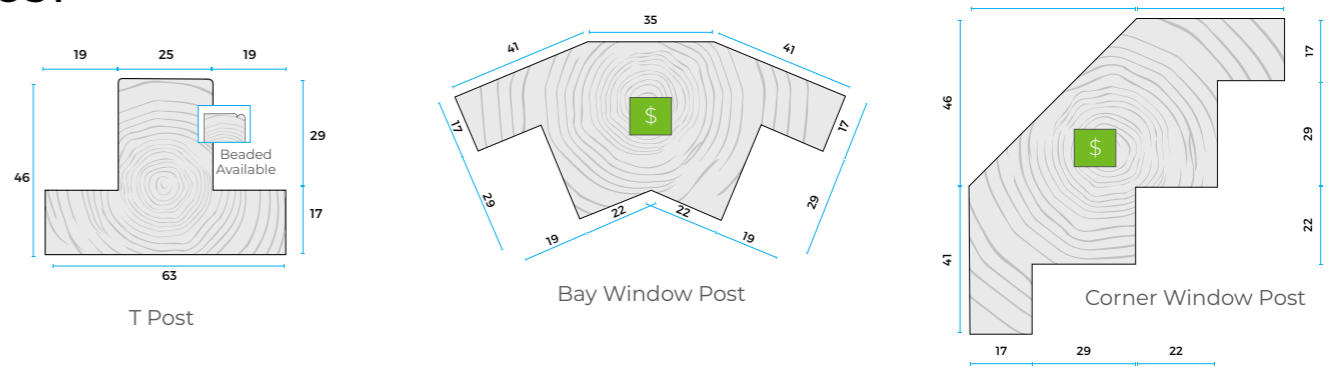


Z FRAME_SILL PLATE OPTION

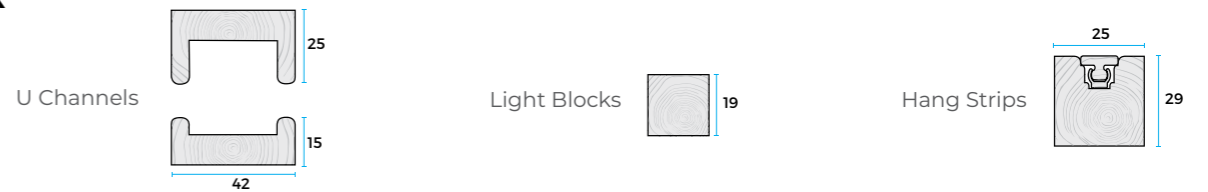
THIS OPTION GIVES YOU FLEXIBILITY TO ADD A Z FRAME WHEN THERE IS UNEVEN SPACE AROUND THE WINDOW. ie WINDOW THAT FIXED AT FLOOR LEVEL.



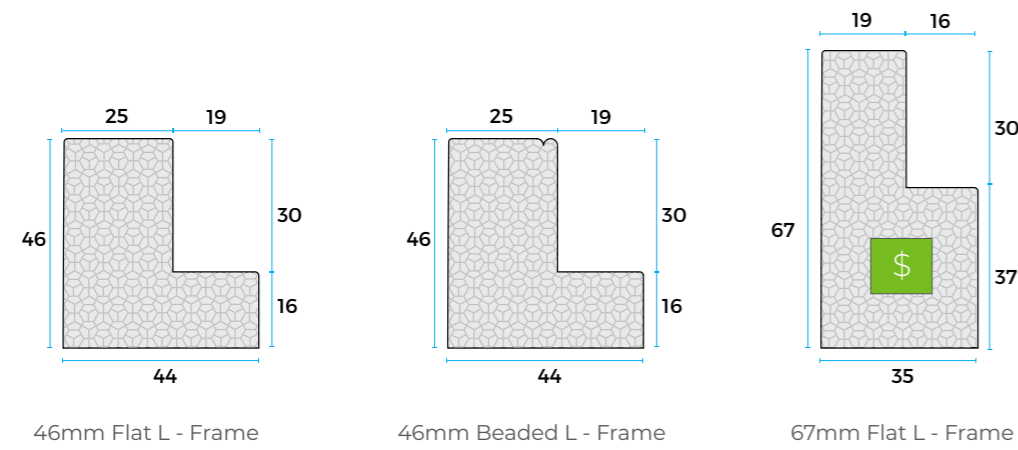
POST



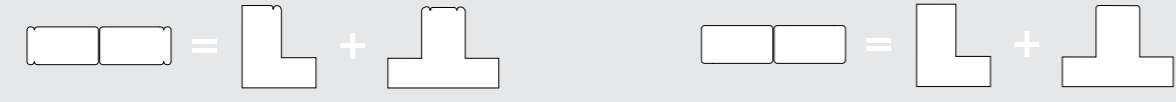
OTHER



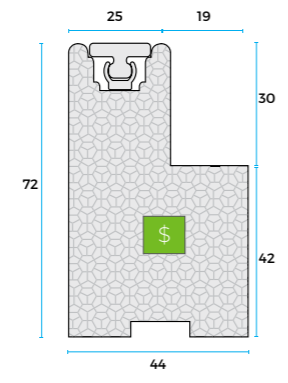
L FRAME STANDARD



Selecting beaded stile option will automatically select beaded framing



L FRAME FACE FIT



72mm Face Fit*
L - Frame

Face Fit System

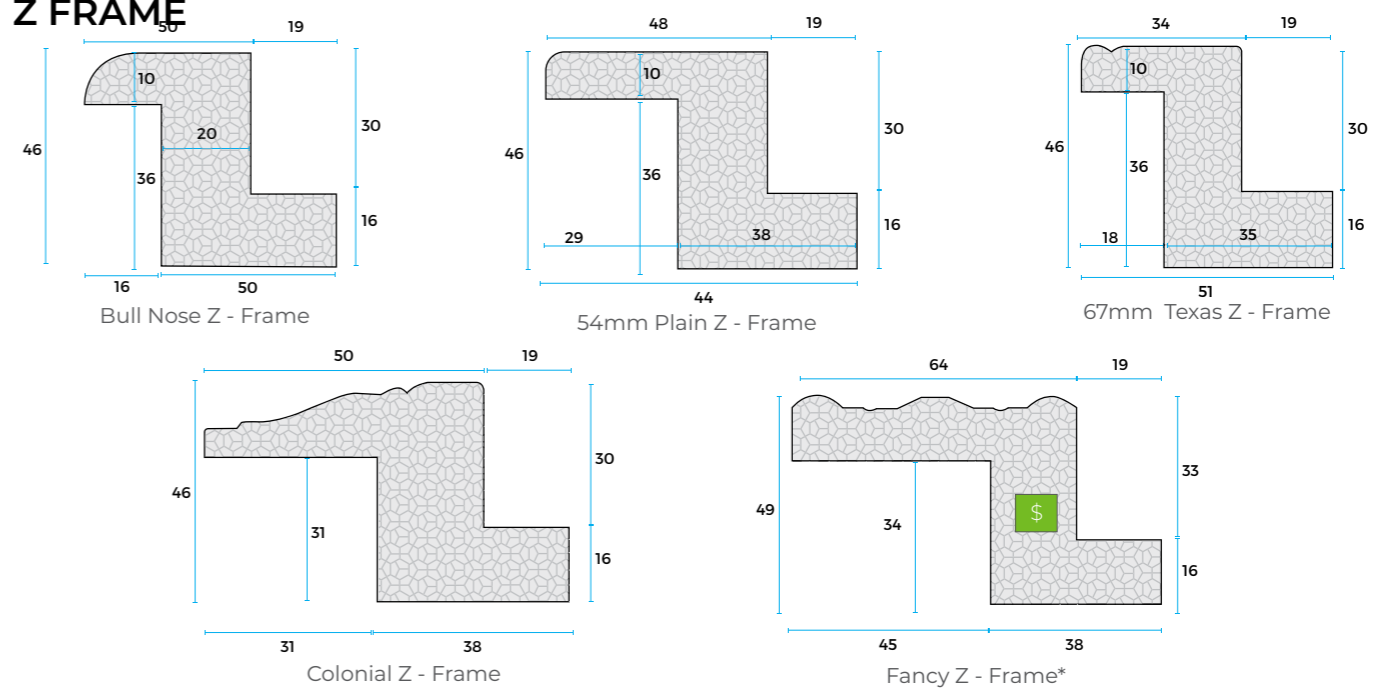
The all new Face fit L frames have been designed with precision made plastic clips which grip onto the cover strip. This creates an easy to install bond, that wont fail over time.

The Face Fit Frame & Hang Strips will be pre-drilled with a 4mm hole, in approx. 300mm intervals.

PLEASE NOTE:
 Thermo25 framing can be used with Basswood/ThermoTec panels. At the customers own discretion, considering if it is suitable in wet areas etc.

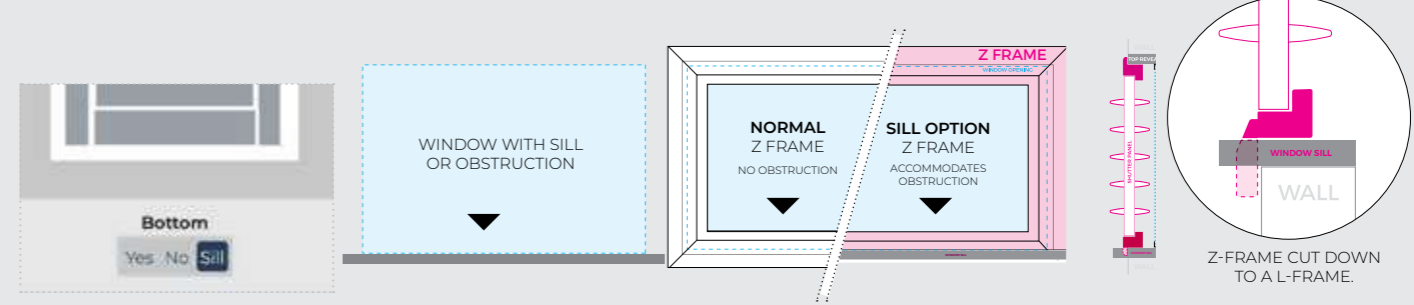
\$ *Surcharge applies – See Price List.

Z FRAME

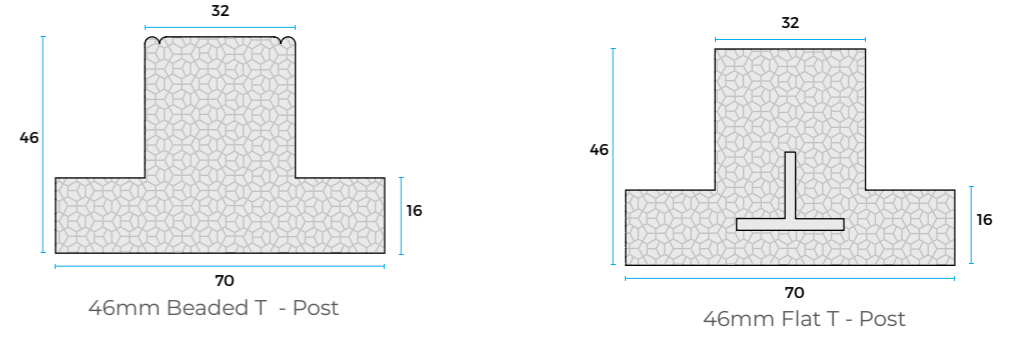


Z FRAME SILL PLATE OPTION

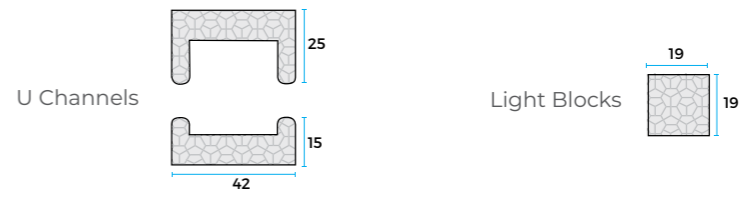
THIS OPTION GIVES YOU FLEXIBILITY TO ADD A Z FRAME WHEN THERE IS UNEVEN SPACE AROUND THE WINDOW, ie WINDOW THAT FIXED AT FLOOR LEVEL.



POSTS



OTHER



MEASURING INSTRUCTIONS

INSIDE MOUNT _MEASURING INSTRUCTIONS

Measurements to be given in millimetres (mm)

- Always measure the depth of the reveal to ensure no mullions, handles or anything else could interfere with the rotation of the blades. Check the frame depth chart for the relevant depth needed for each blade size:

Hint: Z-frame will bring the shutter panels forward ~10mm

- Always measure at least 3 places across the width and height.
 - If using an Opening Size Order Form provide the **smallest size** on the form. The Factory will take the deductions listed below.
 - If using a Make Size Order Form – we recommend taking the following deductions from the smallest measured size.

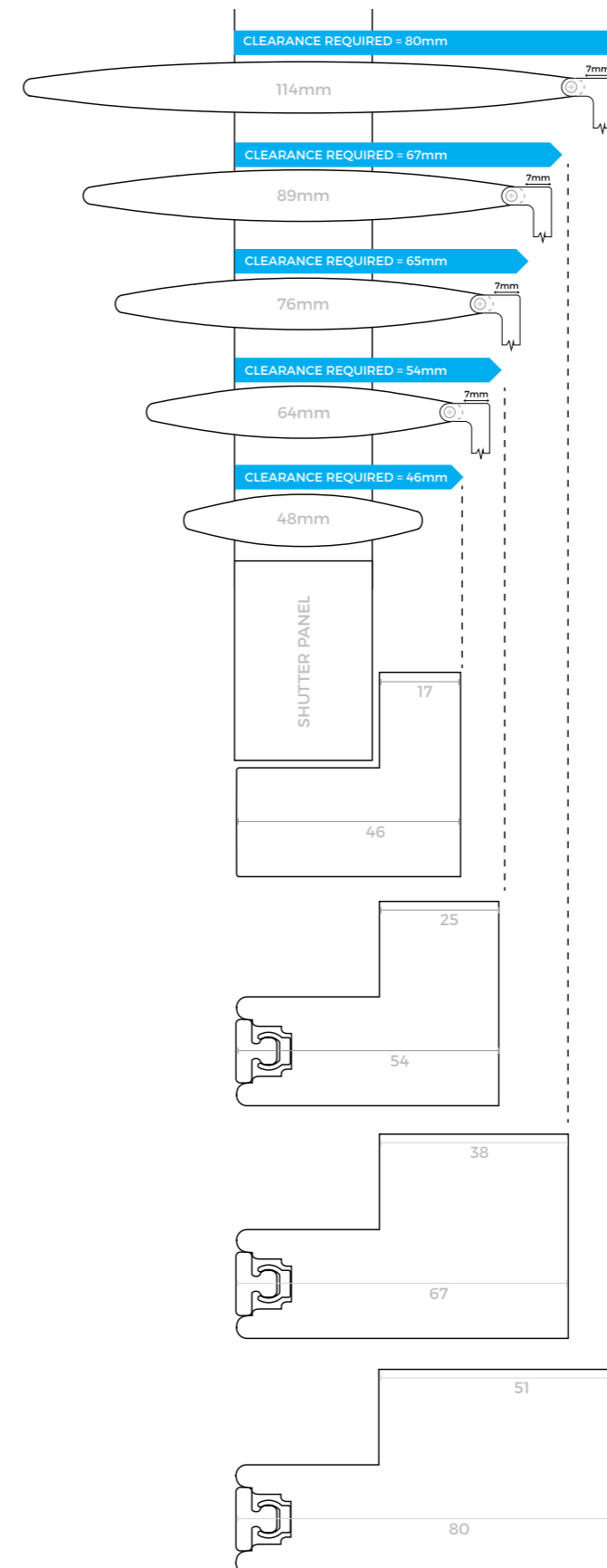
Mounting Method	Width Deduction	Height Deduction
Hinged in Frame (L-Frame, Z-Frame etc.)	3mm	3mm
Non Mortise Hinges without frame – 1 x panel	5mm	6mm
Non Mortise Hinges without frame – 2 + panels	6mm	6mm
Pivot Hinge without frame – 1 x panel	5mm	8mm
Pivot Hinge without frame – 2 + panels	6mm	8mm
Sliding/Bi-Folding	3mm	3mm

OUTSIDE MOUNT _MEASURING INSTRUCTIONS

Measurements to be given in millimetres (mm)

- Always measure in in at least 3 places across the width and height. Use the **Largest size** for ordering. No deductions will be taken from these sizes.

OUTSIDE MOUNT _BLADE /FRAME DEPTH CHART



Clearview tilt option bracket will add 7mm to the width of blades

PLEASE NOTE:
When depth / clearance is critical frames can be customised upon request

MEASURING INSTRUCTIONS

MID RAILS

When measuring for a Mid Rail, measure from the bottom of the opening to the centre of where you would like the Mid Rail to be positioned. This will be positioned, within a tolerance of **30mm** up or down to maintain even top and bottom rails.

If your Mid Rail position is Critical, tick the box critical mid rail or mention it in the notes section on the order form 'Critical Mid Rail', this will ensure your Mid Rail to be positioned exact. Though the Top and Bottom rails may be of different size.

Note: with critical midrails CW Systems & the factory cannot be responsible for uneven Top or Bottom Rails.

Mid Rail

No mid rail
 1 mid rail
 2 mid rails
 3 mid rails

Mid rail critical? ?

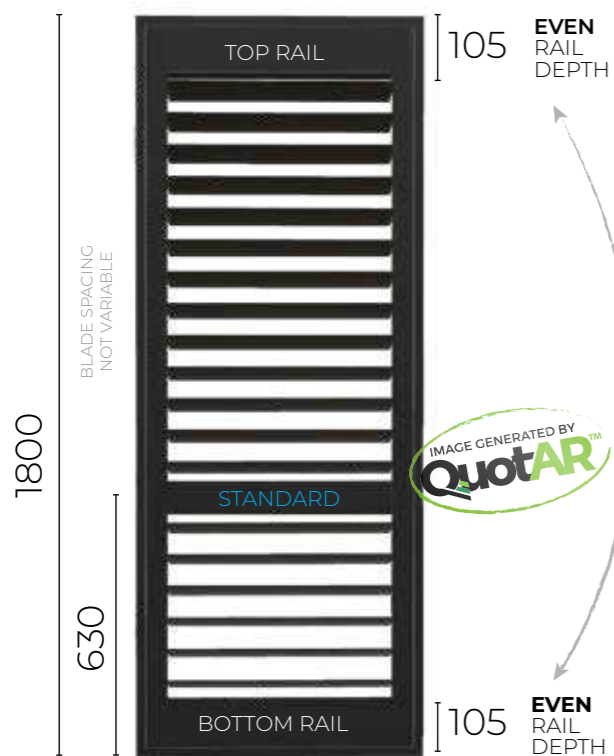
1st mid rail height:

HINT ?
If you leave this blank the mid rail will be put in centre

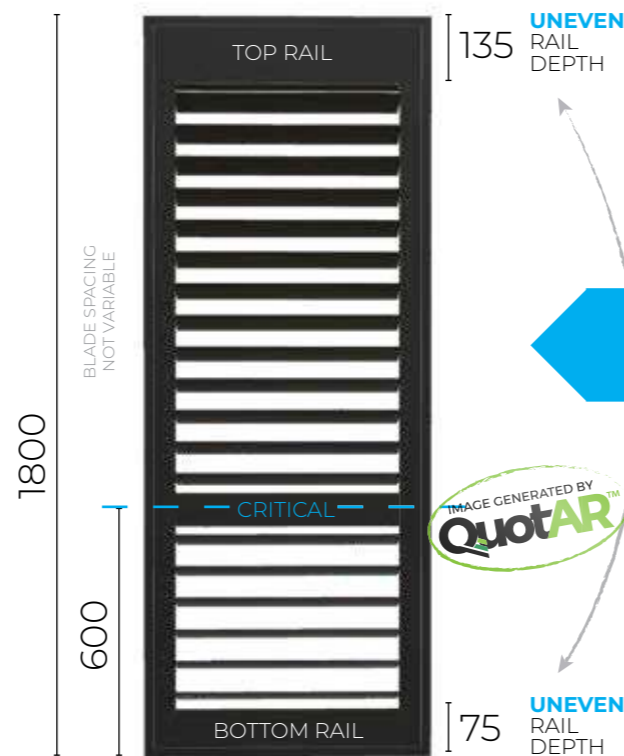
EXAMPLE PANELS BELOW

The example below shows the same shutter 1800mm tall with a mid rail at 600mm. The standard mid rail is moved to 630mm with even top and bottom rails. With critical mid-rail it is positioned exactly at 600mm but the top rail is bigger than the bottom rail.

MID RAILS STANDARD

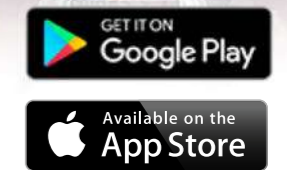
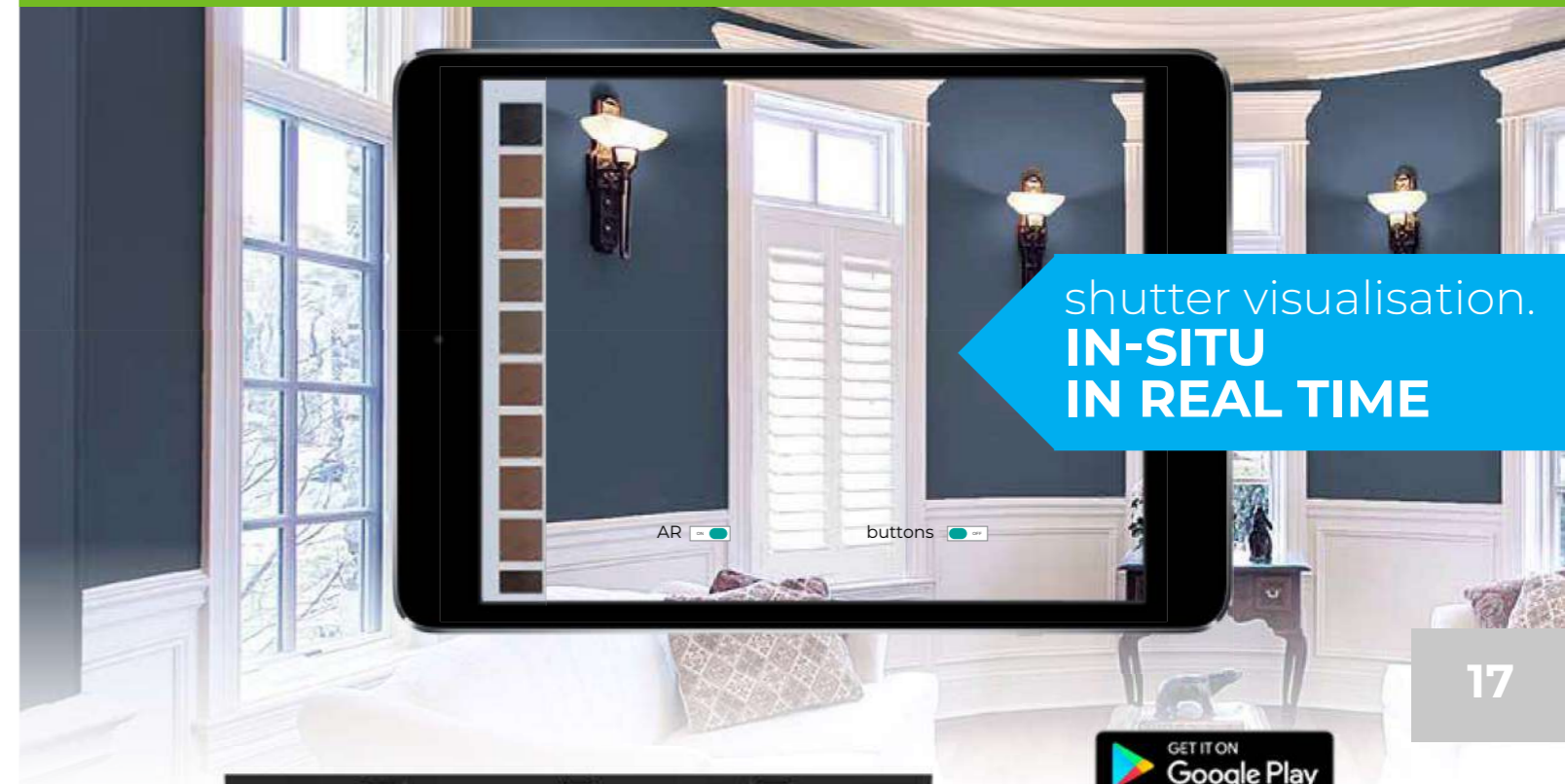


MID RAILS CRITICAL



UPGRADE YOUR ORDERING EXPERIENCE 'Technical' Made Easy

Your complete self guided online sales order APP with augmented reality for shutter visualisation.



CRITICAL SPECIFICATION
IN REAL TIME

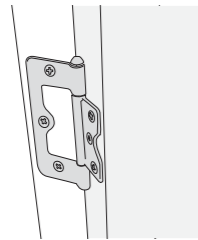
Customer confidence by creating custom shutters, clients can visualise and you can sell, your looking smarter already...

Call for a free demonstration **PLAY TODAY!**

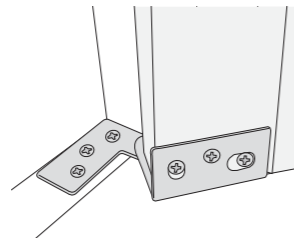
HINGED OPTIONS



HINGE TYPES



NON MORTISE HINGE



PIVOT HINGE

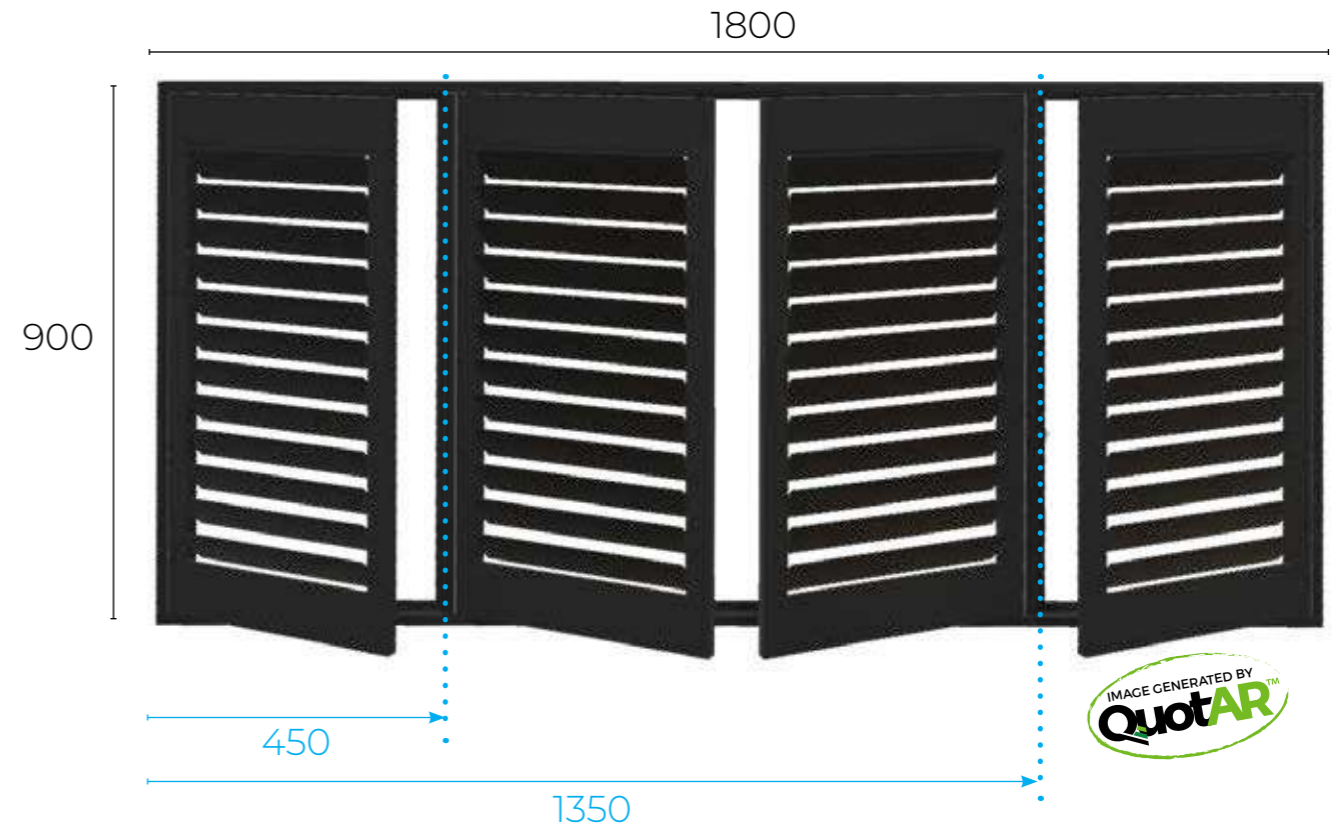
HINGE MOUNT COLOUR OPTIONS



FRAME SIDES

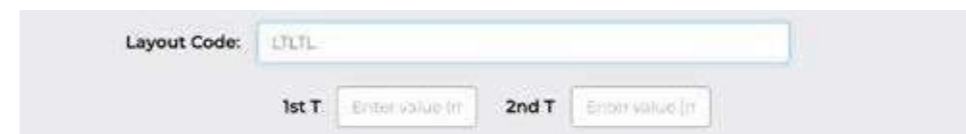


HINGED MEASURING T POST



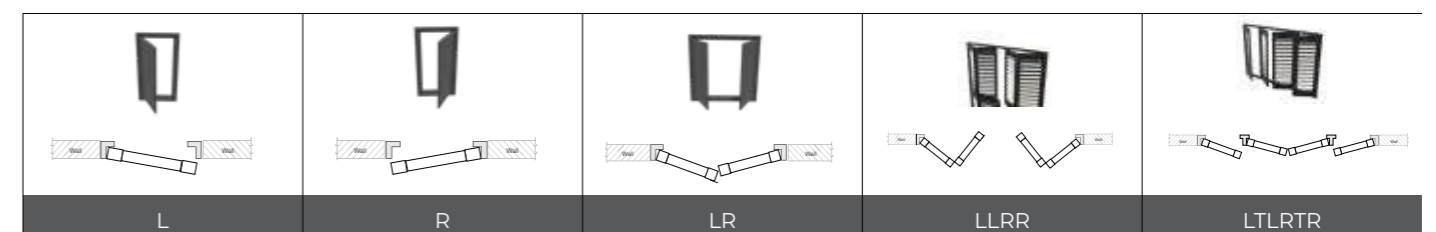
When Measuring for T-post positions always measure from the far left to the centre of the T-post. If you do not nominate a T-post position the panels will be made even width and positioned as per your Layout Code.

Ordering online: With every "T" entered in the Layout Code a box will appear for you to enter the post position.

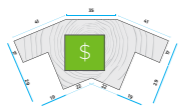
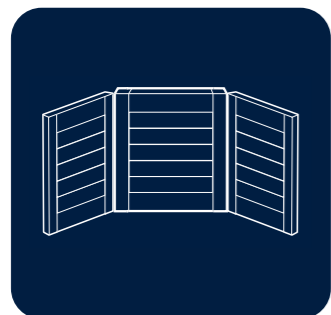


HINGED / FRAMED LAY OUT CODES

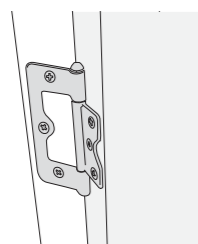
Layout codes are one of the most important aspect to understand when ordering shutters. The design of the layout codes tells us how many panels/posts are in an item as well as what side the hinges are one. A layout code should always be designed starting from the left. With Hinged shutters – L=Left hinge, R= Right hinge, T=T-post. No other letters are needed in the layout code. Some examples are below.



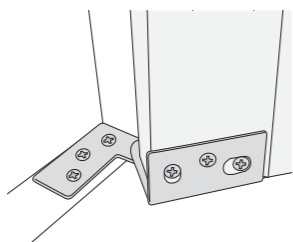
BAY WINDOW OPTIONS



HINGE TYPES



NON MORTISE HINGE



PIVOT HINGE

HINGE MOUNT COLOUR OPTIONS

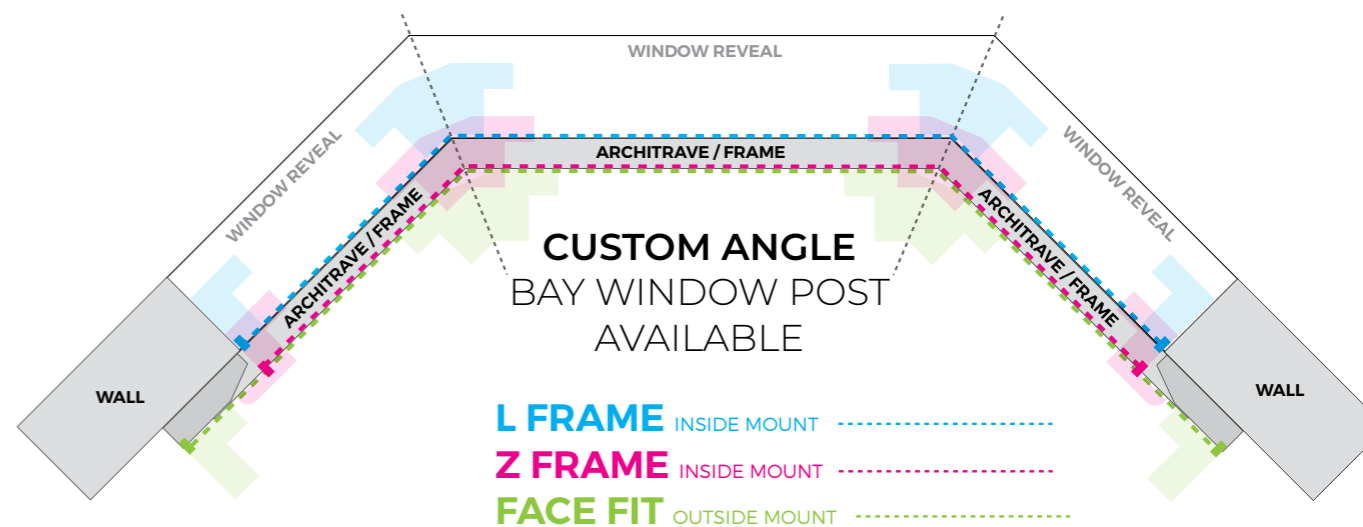


FRAME SIDES

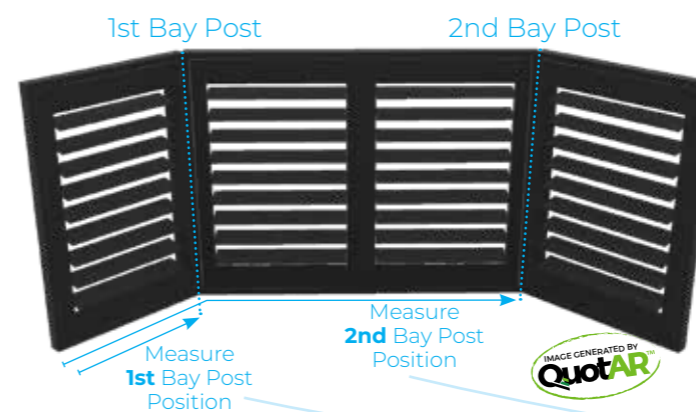


MEASURING BAY WINDOWS WITH DIFFERENT FRAMING OPTIONS

When measuring for Bay or Corner Windows there are other factors to consider. Inside mount/Outside mount changes the sizes dramatically. With inside mount you are giving us the front of frame size and outside mount is the Back of frame size. Also if you are using a Z-frame you have to make sure to take in to account the architrave thickness and supply the size to the front of the architrave. See diagram below.



BAY WINDOW MEASURING POST



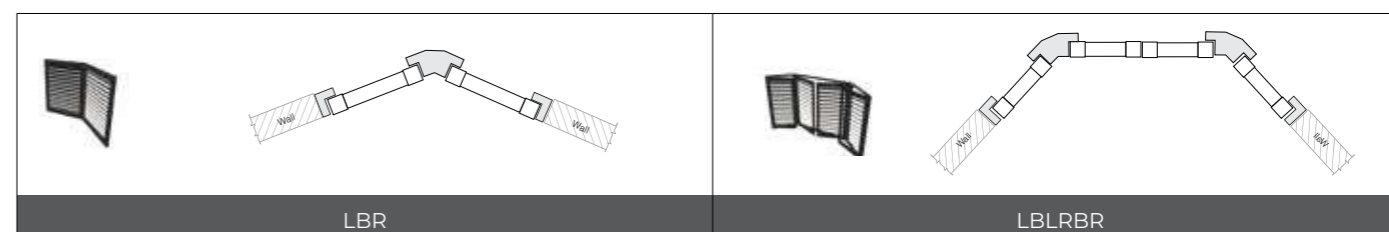
When Measuring for post positions always measure from the far left to the centre of the post. If you do not nominate a post position the panels will be made even width and positioned as per your Layout Code.

Ordering online: With every "T" or "B" entered in the Layout Code a box will appear for you to enter the post position.



BAY WINDOW / FRAMED LAY OUT CODES

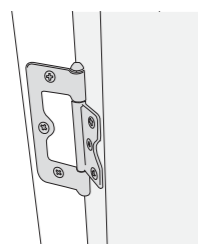
Layout codes are one of the most important aspect to understand when ordering shutters. The design of the layout codes tells us how many panels/posts are in an item as well as what side the hinges are one. A layout code should always be designed starting from the left. With Bay Windows – L=Left hinge, R= Right hinge, T=T-post, B=Baypost. No other letters are needed in the layout code. Some examples are below.



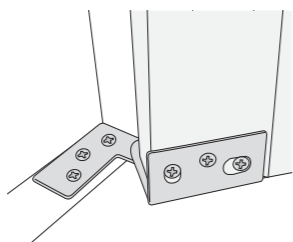
CORNER WINDOW OPTIONS



HINGE TYPES



NON MORTISE HINGE



PIVOT HINGE

HINGE MOUNT COLOUR OPTIONS

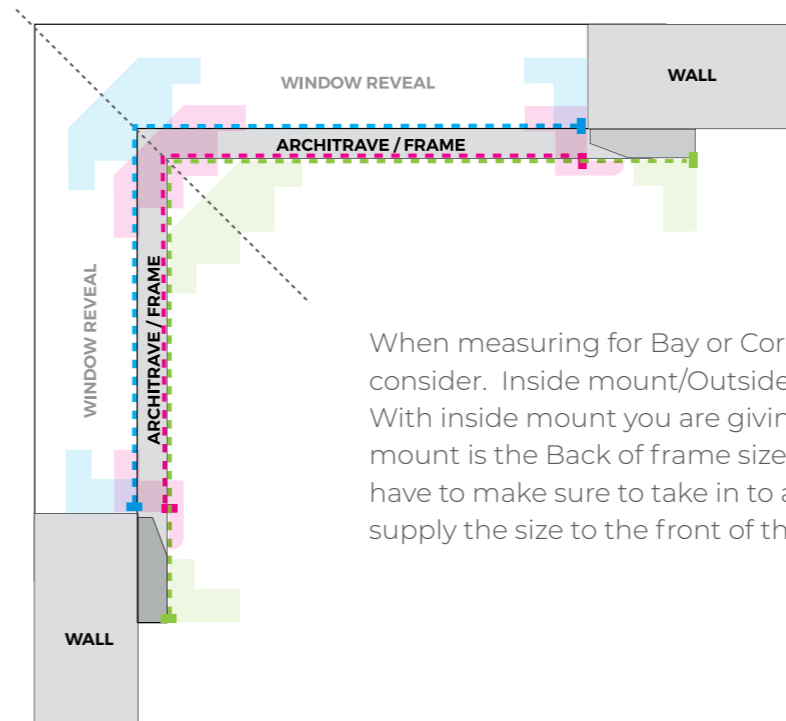


FRAME SIDES



CORNER WINDOW MEASURING T POST

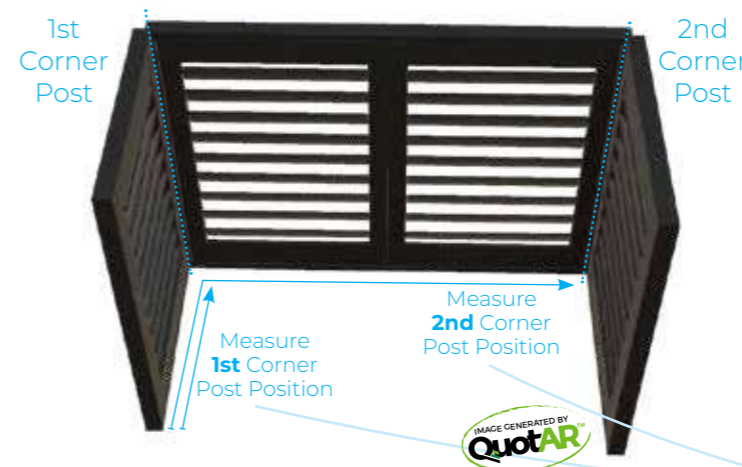
MEASURING CORNER WINDOWS WITH DIFFERENT FRAMING OPTIONS



L FRAME INSIDE MOUNT
Z FRAME INSIDE MOUNT
FACE FIT OUTSIDE MOUNT

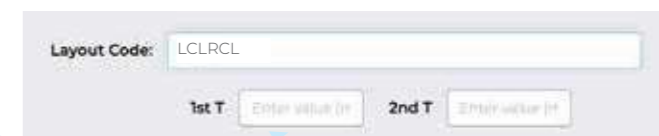
When measuring for Bay or Corner Windows there are other factors to consider. Inside mount/Outside mount changes the sizes dramatically. With inside mount you are giving us the front of frame size and outside mount is the Back of frame size. Also if you are using a Z-frame you have to make sure to take in to account the architrave thickness and supply the size to the front of the architrave. See diagram below.

CORNER WINDOW MEASURING POST



When Measuring for post positions always measure from the far left to the centre of the post. If you do not nominate a post position the panels will be made even width and positioned as per your Layout Code.

Ordering online: With every "T" or "C" entered in the Layout Code a box will appear for you to enter the post position.



CORNER WINDOW / FRAMED LAY OUT CODES

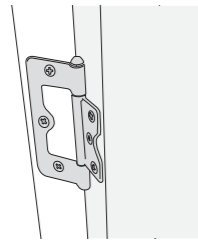
Layout codes are one of the most important aspect to understand when ordering shutters. The design of the layout codes tells us how many panels/posts are in an item as well as what side the hinges are one. A layout code should always be designed starting from the left. With Corner Windows - L=Left hinge, R= Right hinge, T=T-post, C=Corner post. No other letters are needed in the layout code. Some examples are below.



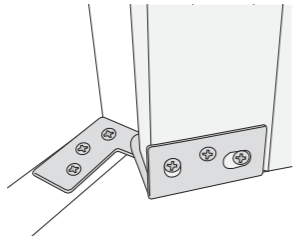
TIER ON TIER OPTIONS



HINGE TYPES



NON MORTISE HINGE



PIVOT HINGE

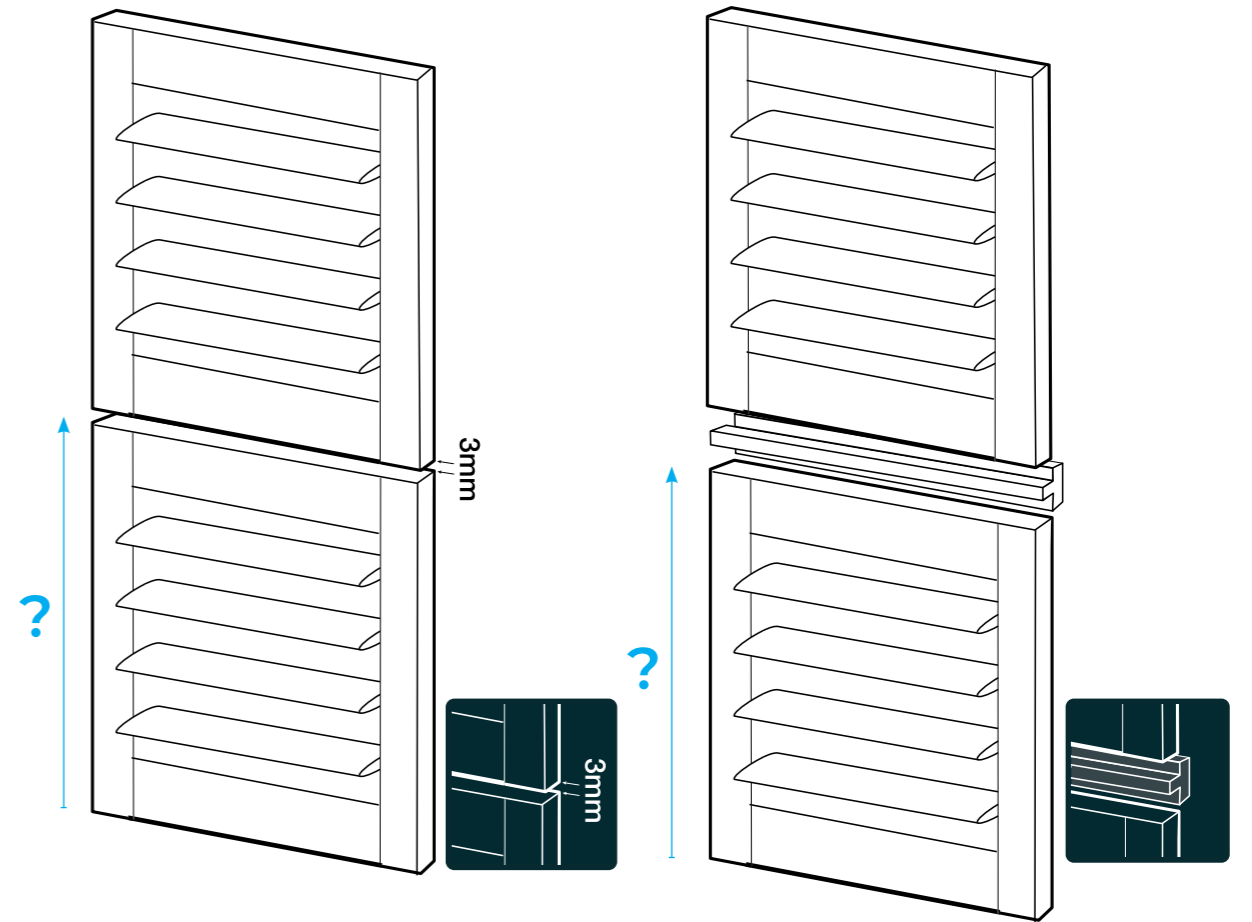
HINGE MOUNT COLOUR OPTIONS



FRAME SIDES



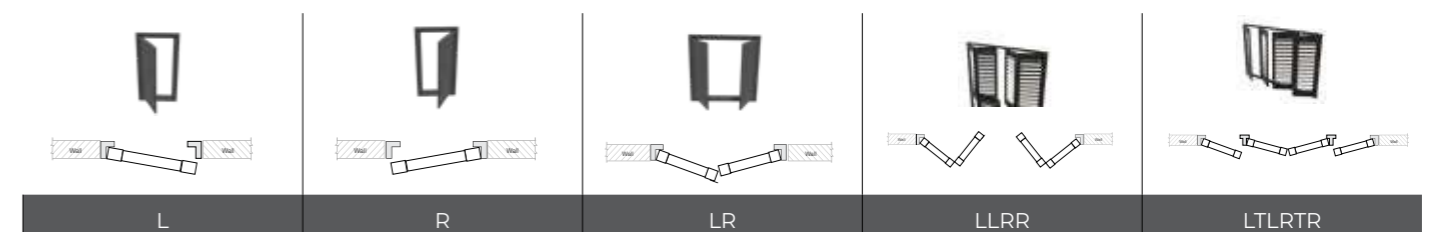
TIER ON TIER MEASURING T POST



With Tier on Tier you choose if you want the panels split with a 3mm gap or a horizontal T-post between the top and bottom panels. Please provide us with the size from the bottom of the opening to the centre of the 3mm gap or horizontal T-post. For layout codes please order the same as standard hinged shutters (See page 21). The factory will mirror the layout above and below the Tier on Tier Split. See examples below.

TIER ON TIER / FRAMED LAY OUT CODES

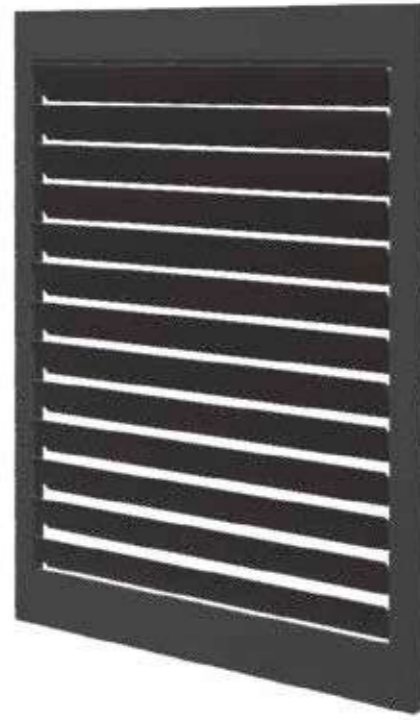
Layout codes are one of the most important aspect to understand when ordering shutters. The design of the layout codes tells us how many panels/posts are in an item as well as what side the hinges are one. A layout code should always be designed starting from the left. With Hinged shutters – L=Left hinge, R= Right hinge, T=T-post. No other letters are needed in the layout code. Some examples are below.



FIXED OPTIONS

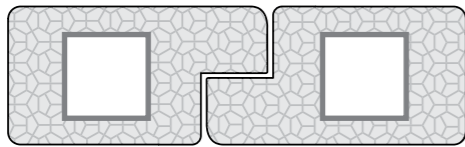


Fixed panels are generally ordered with U-channel top and bottom. However you can order them with standard frame as well. If you order Fixed panels with standard framing the factory will fix the panels in with magnets.

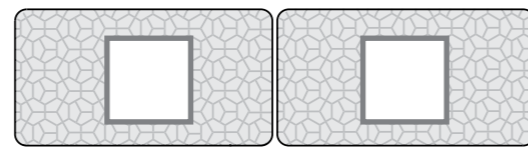


PLEASE NOTE - If the shutters are fixed only with magnets - CW Systems take no responsibility if the panels come loose. It is up to the installer to determine if they need to secure the panel in another way.

STILE OPTIONS WITH U-CHANNELS



Rabbet Stile - Flat



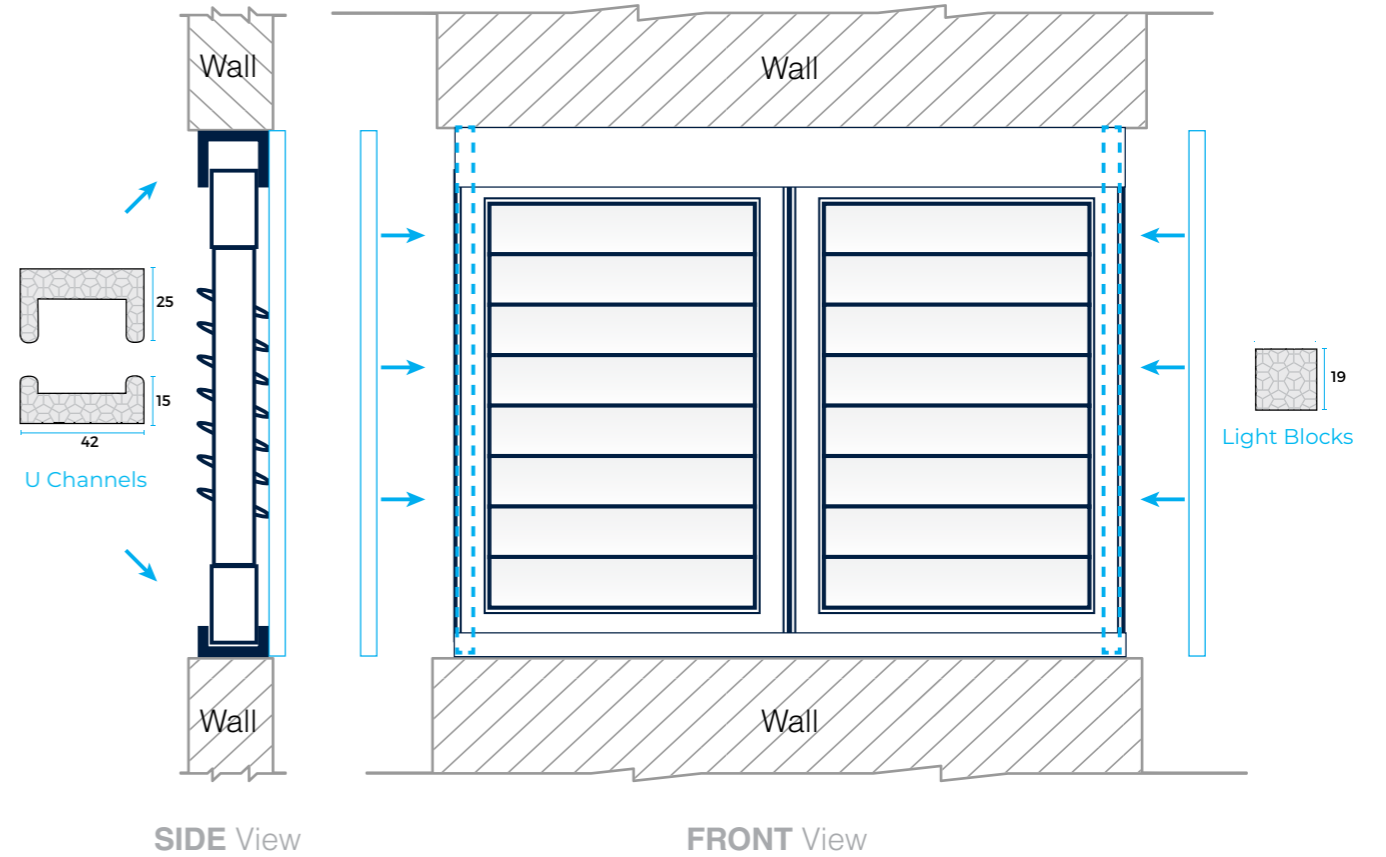
Square Stile - Flat

PLEASE NOTE NO D-MOULD OPTION AVAILABLE WITH U-CHANNELS

FRAME OPTIONS



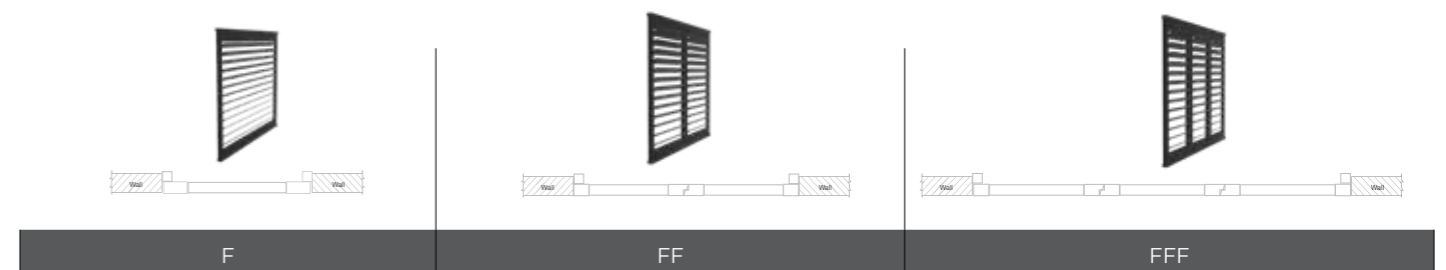
FIXED MEASURING T POST



FIXED PANEL / FRAMED LAY OUT CODES

Layout codes are one of the most important aspect to understand when ordering shutters. The design of the layout codes tells us how many panels/posts are in an item. A layout code should always be designed starting from the left. With Fixed shutters - F=1 x fixed panel, T=T-post. No other letters are needed in the layout code. Some examples are below.

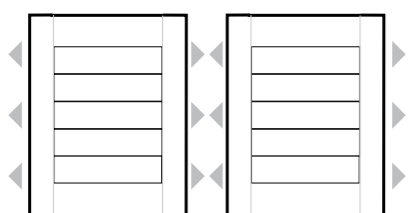
(If your item requires a mixture of hinges and fixed panels. Please go by the standard hinged product type/instructions on page 21 and use the notes to tell use what panels are fixed).



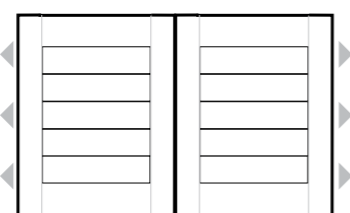
SLIDING OPTIONS



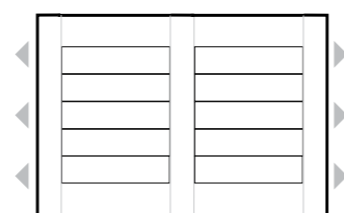
SLIDING PANEL TYPES



STANDARD PANELS
Panels slide independently



CO - JOINED PANELS
Separate panels joined with hinges so they slide as one.

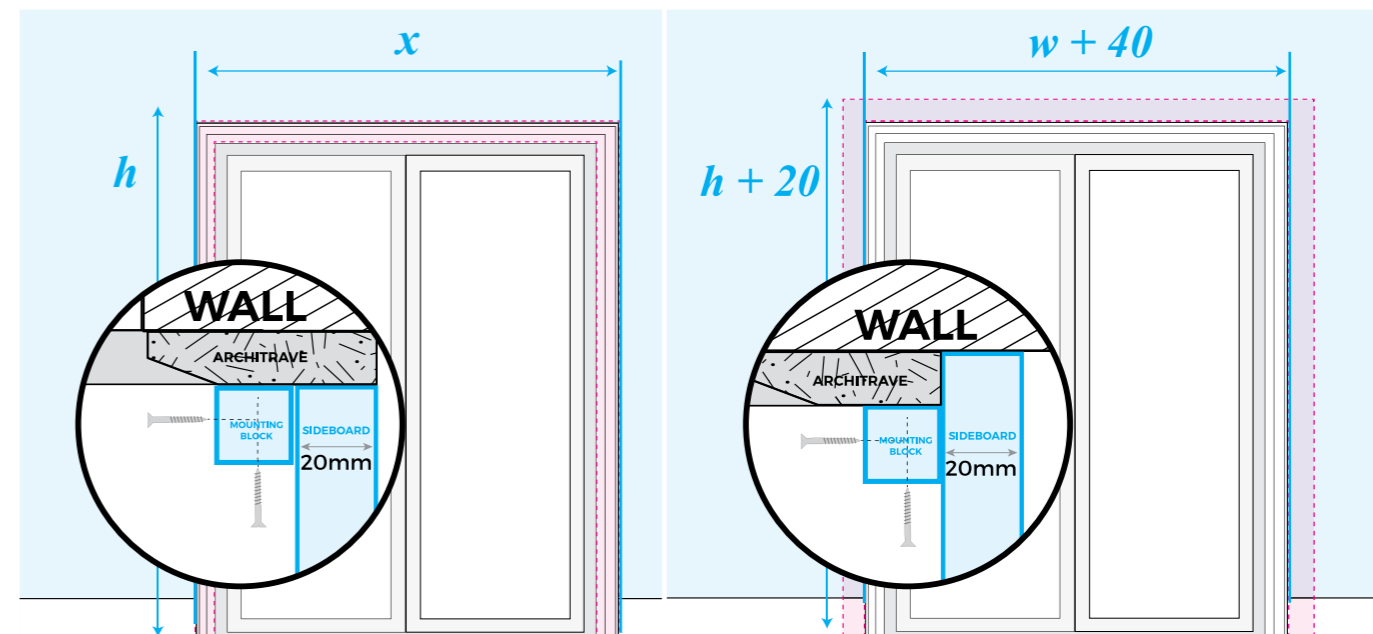


CENTRE STILE PANELS
A 60mm stile down the centre of the panel. Available in Basswood and ThermoTec only.

FRAME OPTIONS

Please Note
Select "No" for any sides you do not want side/bottom boards. If you have "Yes" selected at the bottom the factory will automatically rebate the bottom frame into the bottom board.

FACE MOUNT SLIDING PANEL MEASUREMENT

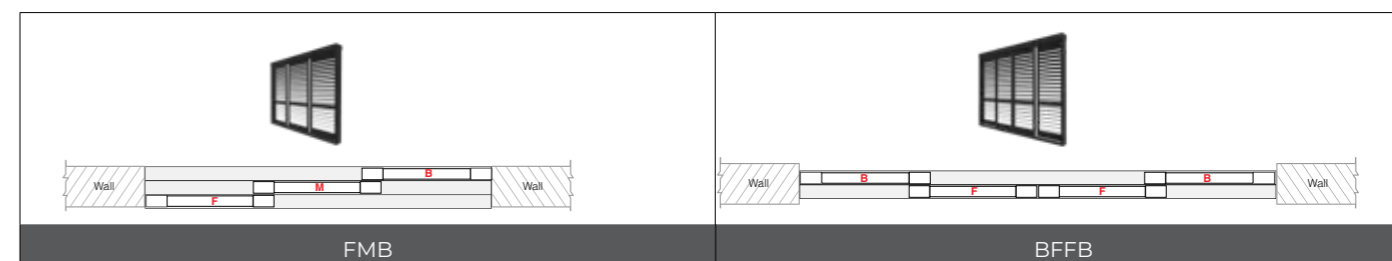
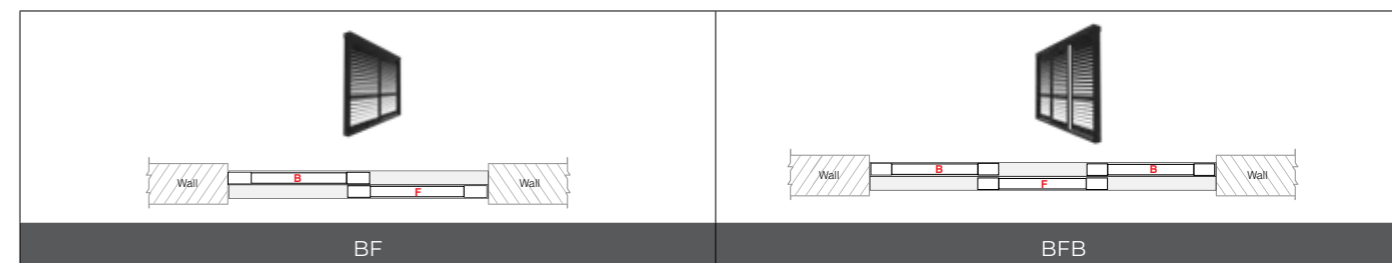


Installation **ON FACE** of architrave.
Measure to the outside of the architrave

Installation **AROUND** the architrave
Measure to the outside of the architrave then add 20mm to the height and 40mm to the width

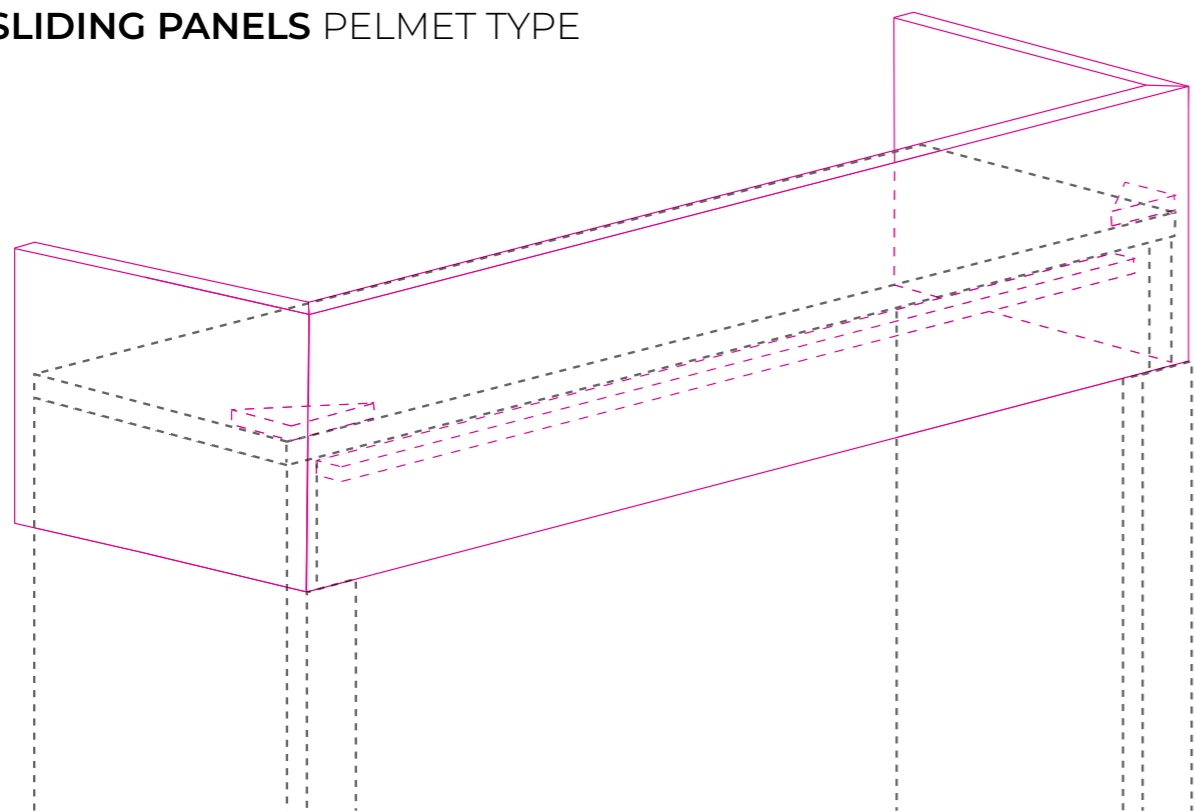
SLIDING / FRAMED LAY OUT CODES

Layout codes are one of the most important aspect to understand when ordering shutters. The design of the layout codes tells us how many panels/tracks are in an item as well what panel is on what track. A layout code should always be designed starting from the left. With Sliding Shutters – F=1 x Panel on Front Track, B= 1 x Panel on Back Track, M=1 x Panel on Middle Track. If you are using Co-Joined panels each should be in the layout (ie FFBB) and the factory will automatically join them if Co-joined is selected. See example below.



SLIDING OPTIONS

SLIDING PANELS PELMET TYPE



OUT - PELMET
40mm above headboard

140mm

SEMI - PELMET
20mm above headboard

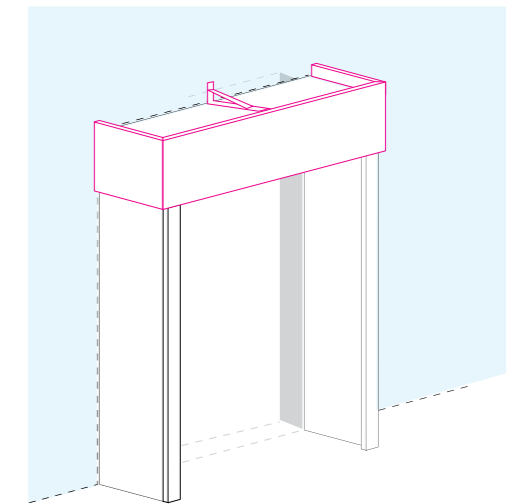
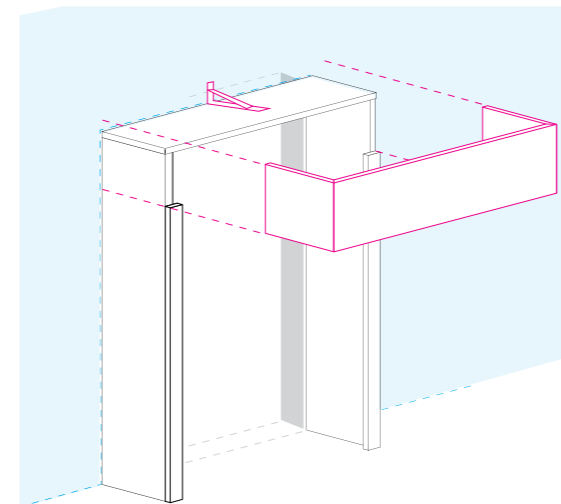
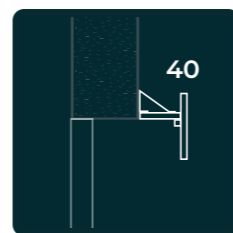
120mm

IN - PELMET
Flush to top - no return

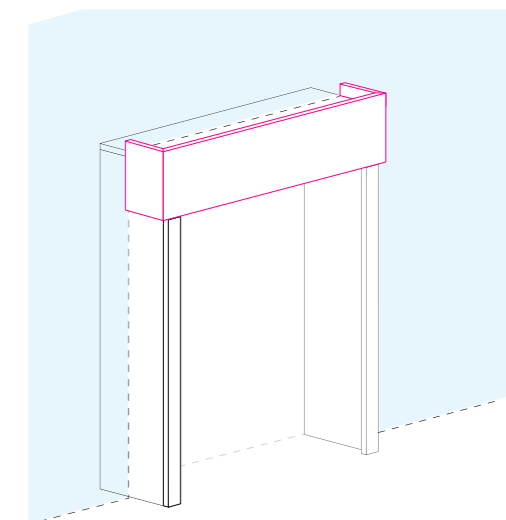
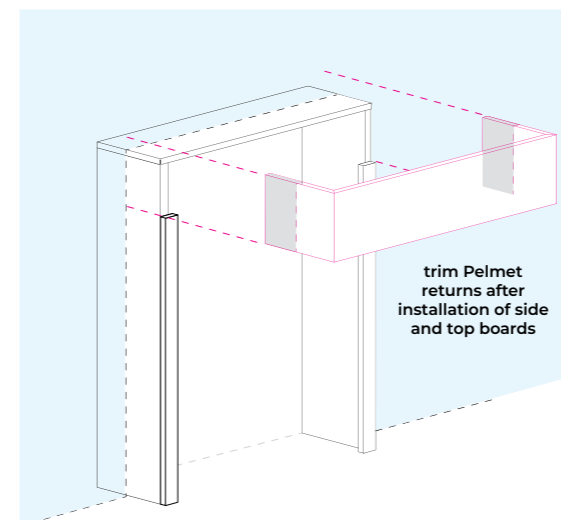
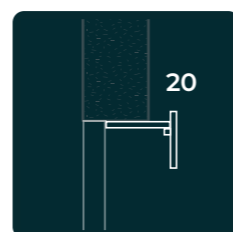
100mm

Sliding Panels PELMET TYPE

OUT
40MM ABOVE BOARD W/RETURNS

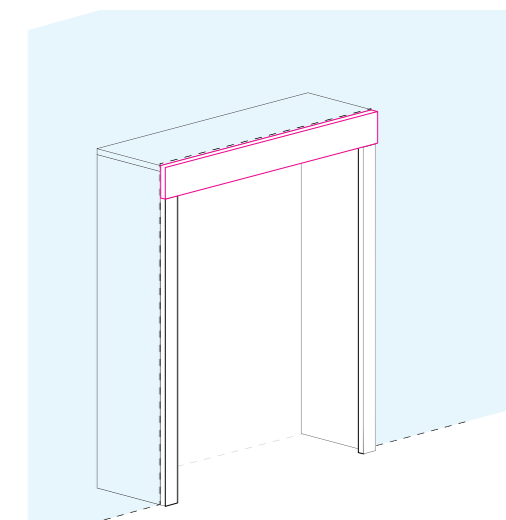
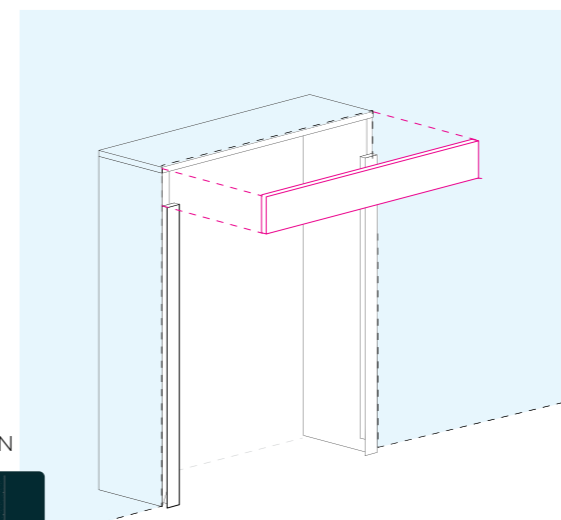
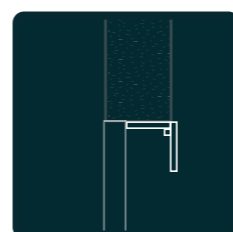


SEMI
20MM ABOVE BOARD W/RETURNS



trim Pelmet returns after installation of side and top boards

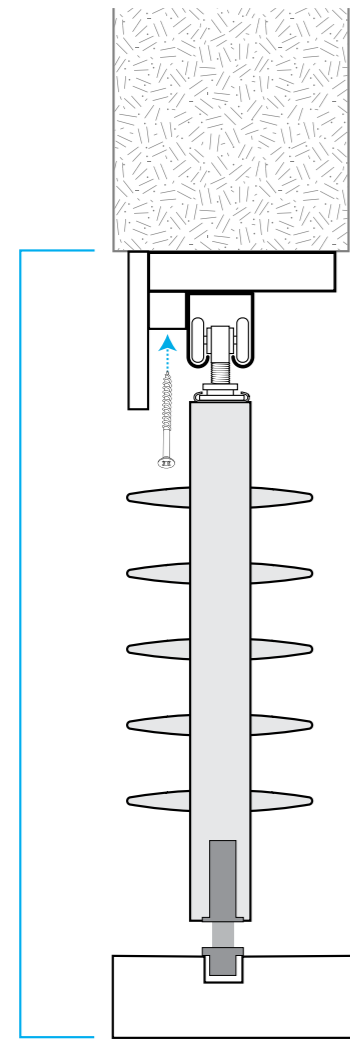
IN / DOUBLE
FRONT AND BACK NO RETURNS



DOUBLE
INTERNAL WALL OPTION NO RETURNS

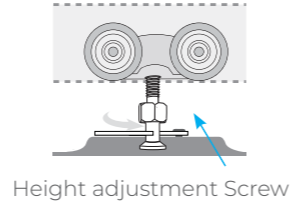
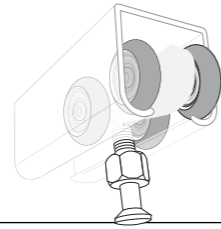
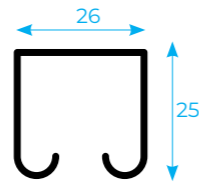


SLIDING OPTIONS

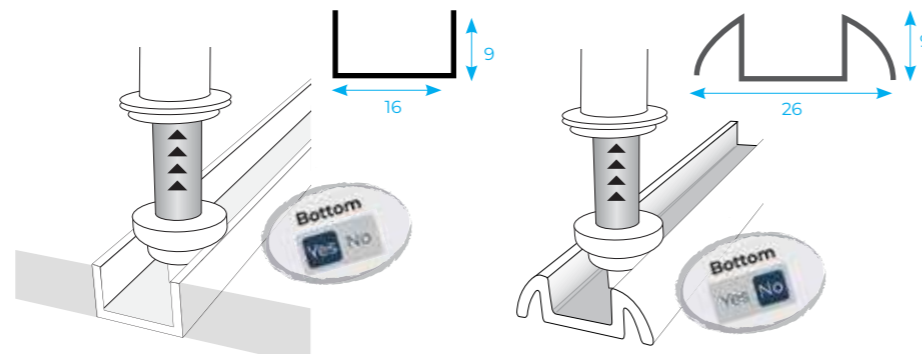


Top Rolling Track System (T25)

top track and top carrier



Top Rolling with Bottom Track



U-Track recessed in Bottom board

Select "Yes" for the bottom frame to order this

M-Track sits on Floor

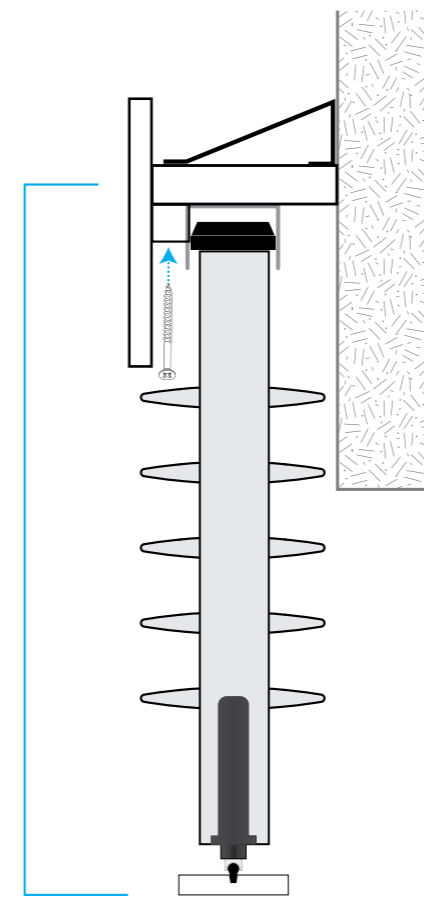
Select "No" for bottom frame to order this.

Top Rolling with Floor Guide

Floor Guide mounted directly to floor/ bottom board. Groove cut into bottom of panel to go over floor guide. REMEMBER to select "No" on bottom frame if no bottom board is needed.

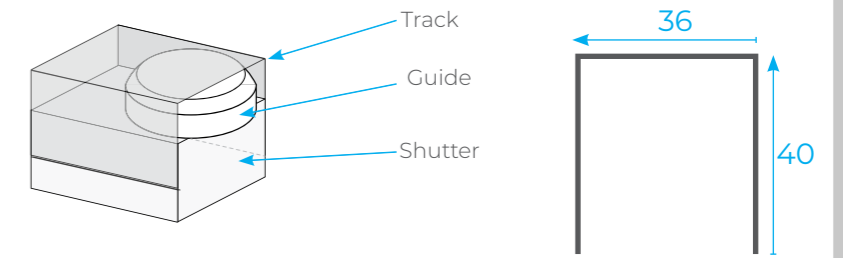


SLIDING PANELS TRACKING SYSTEM

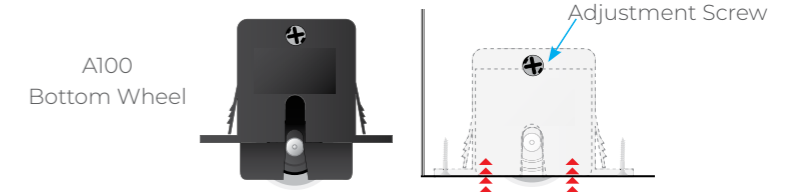


Bottom Slider Track System

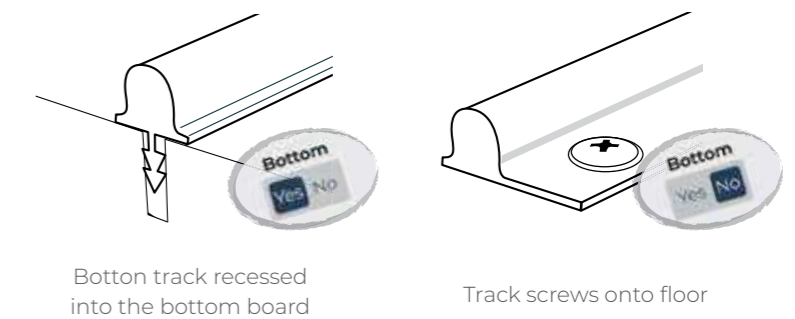
top track and top guide



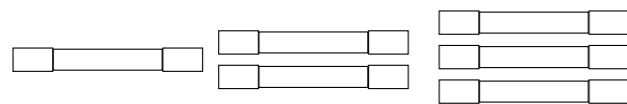
bottom rollers A100 Bottom Wheel



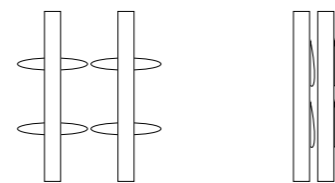
bottom track A100 Bottom Track



Sliding Panels Track Quantity

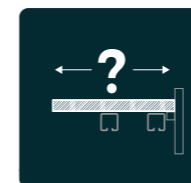


The layout Code will tell us they Track qty needed. On the online system it will be automatically selected.



Sliding Open – This means we space the tracks far enough apart so that the panels will Slide past without hitting each other even with the blades tilted open. The factory will provide Light block to attached to the panels if this is selected.

Sliding Closed – The factory will space the track as close as possible to each other. The blades will need to be fully tilted closed to slide the panels.



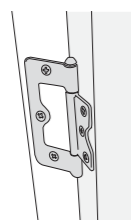
After selecting entering the layout code, Blade type, and Sliding Open or closed the Online Ordering system will automatically come up with the available frame depths. Also See frame depth chart below.

	Sliding Frame Depths (Clearview Tilt)			Sliding Frame Depths (Centre Tilt)		
	Min.	Standard	Face fit (around Arch.)	Min.	Standard	Face fit (around Arch.)
Closed (all blades)	115mm	120mm	140mm	130mm	140mm	160mm
63mm - open	150mm	150mm	170mm	170mm	180mm	200mm
89mm - open	190mm	200mm	220mm	210mm	210mm	230mm
114mm - open (not recommended)	225mm	230mm	250mm	250mm	250mm	270mm

BI FOLD WITH TRACK

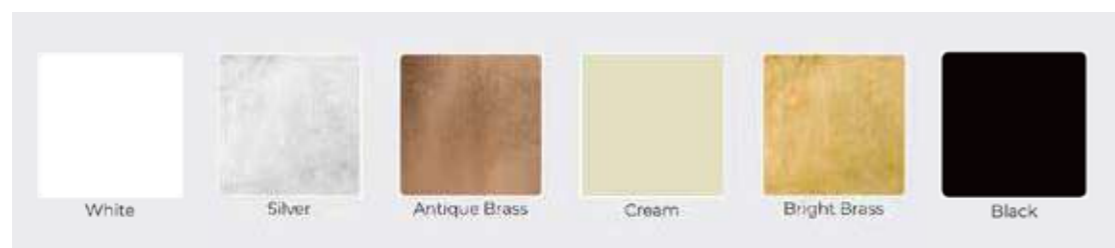


IMAGE GENERATED BY QuotAR™



NON MORTISE HINGE

HINGE MOUNT COLOUR OPTIONS



FRAME OPTIONS

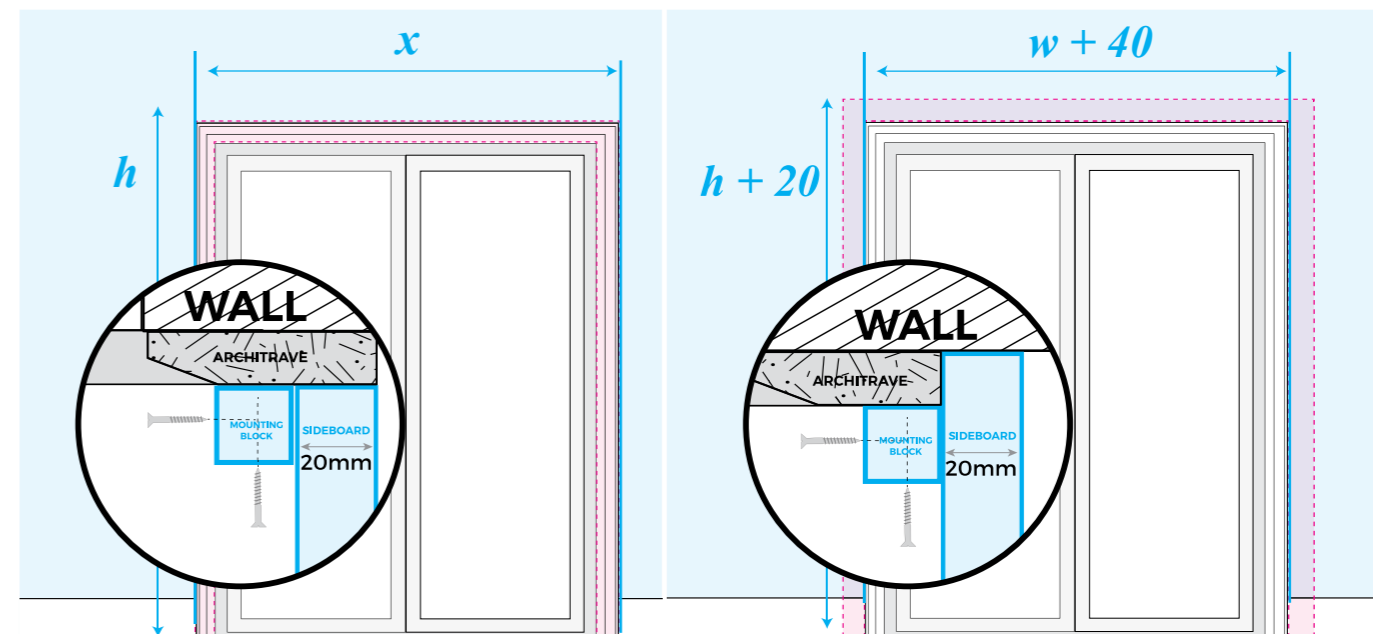
Bottom

Yes No

Please Note

Select "No" for any sides you do not want side/bottom boards. If you have "Yes" selected at the bottom the factory will automatically rebate the bottom frame into the bottom board.

FACE MOUNT BI FOLD PANEL MEASUREMENT

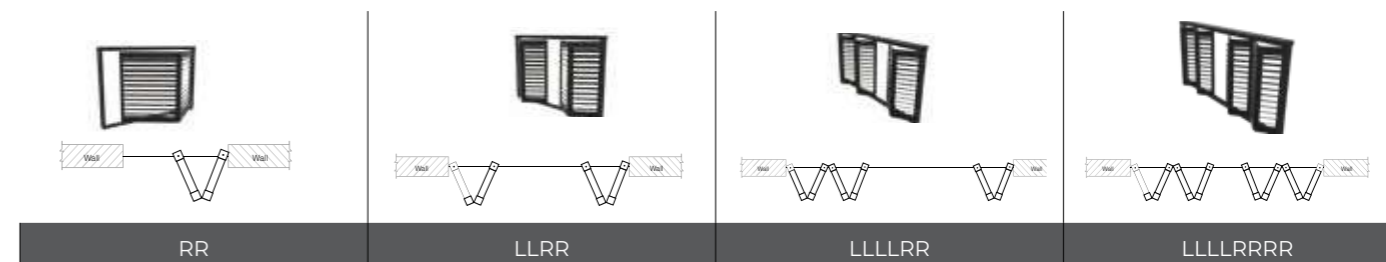


Installation **ON FACE** of architrave. Measure to the outside of the architrave

Installation **AROUND** the architrave. Measure to the outside of the architrave then add 20mm to the height and 40mm to the width

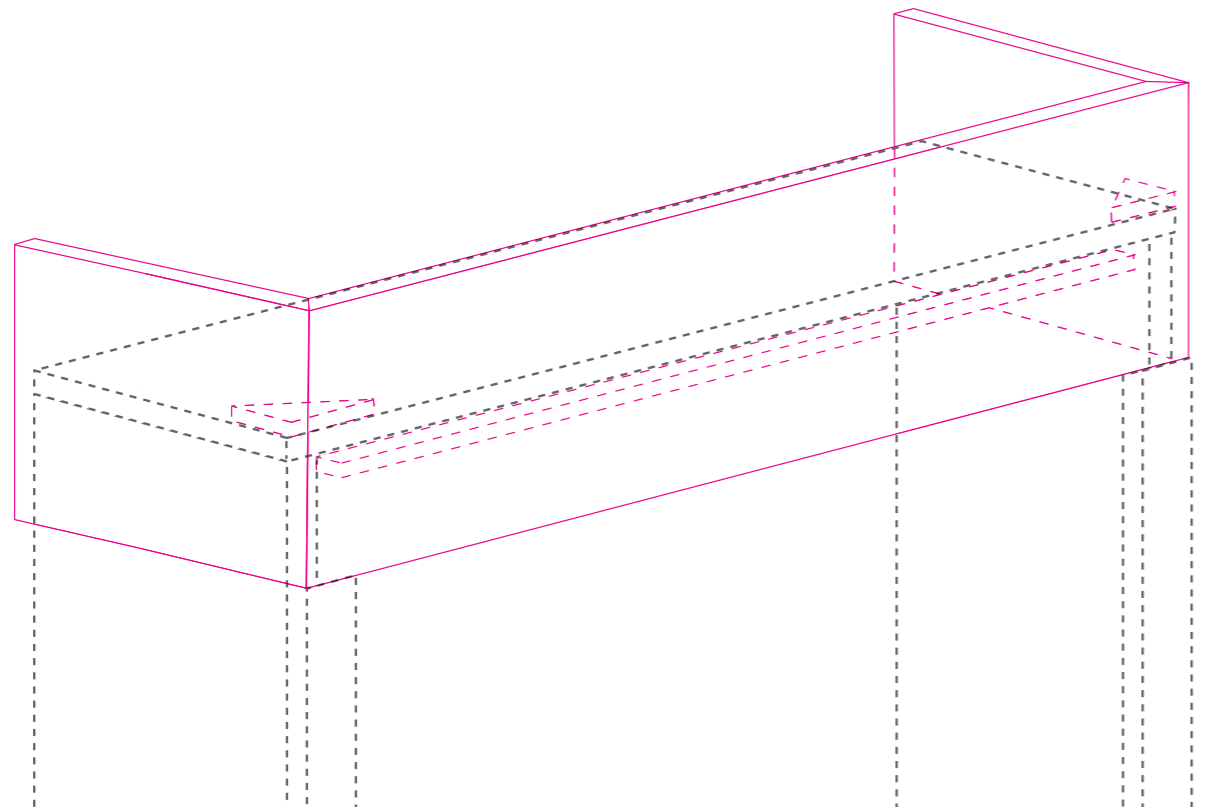
BI FOLD / FRAMED LAY OUT CODES

Layout codes are one of the most important aspect to understand when ordering shutters. The design of the layout codes tells us how many panels are in an item as well as what side the hinges are one. A layout code should always be designed starting from the left. With Bi-Fold shutters – L=Left hinge, R= Right hinge. No other letters are needed in the layout code. It is recommended to always have the panels fold in pairs so that the panel returns to the track. If you have an odd number of panels the last panel will be swinging independently and the factory does not supply any hardware to hold it in place. Some examples are below.

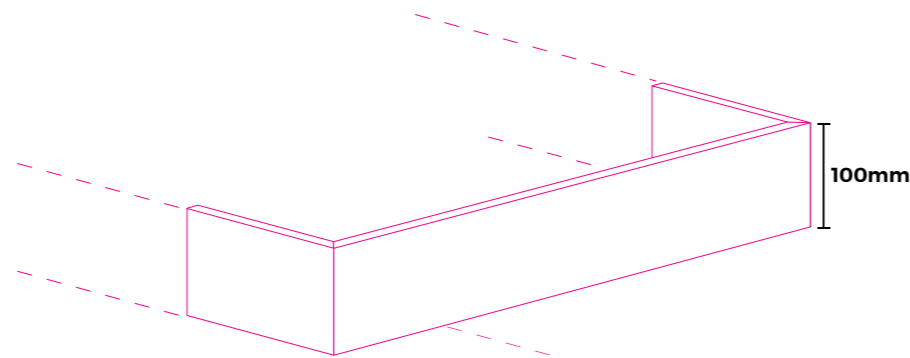


BI FOLDS OPTIONS

BI FOLD PANEL PELMET TYPES

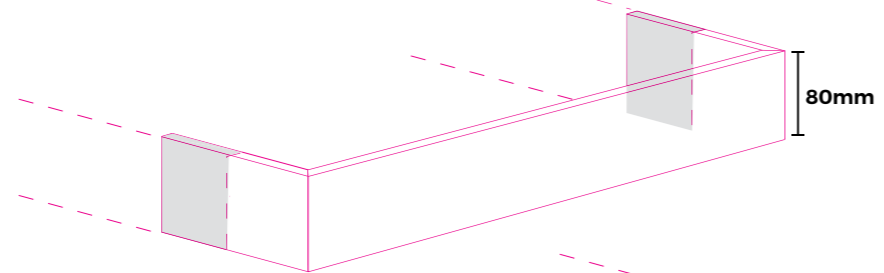


OUT - PELMET
40mm above headboard



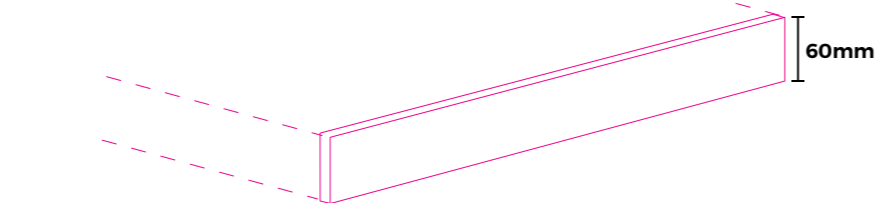
100mm

SEMI - PELMET
20mm above headboard



80mm

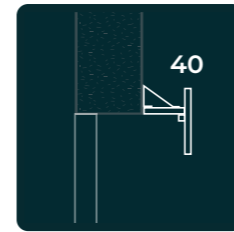
IN - PELMET
Flush to top - no return



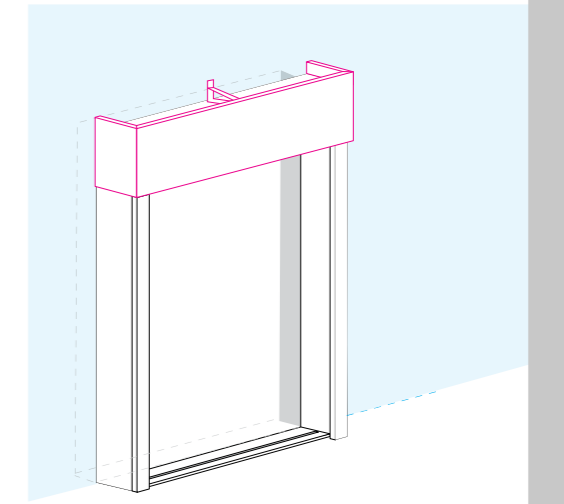
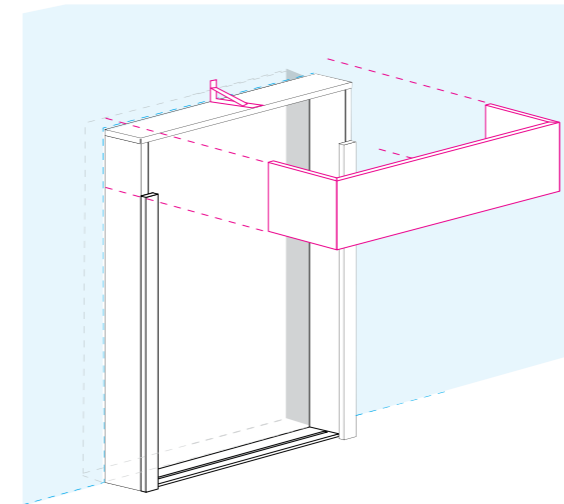
60mm

Sliding Panels PELMET TYPE

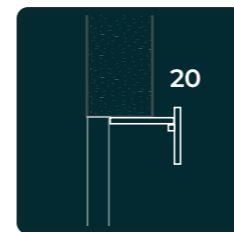
OUT
40MM ABOVE BOARD W/RETURNS



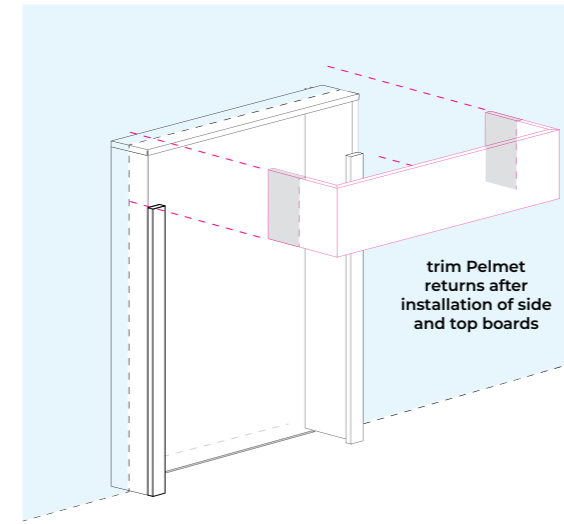
40



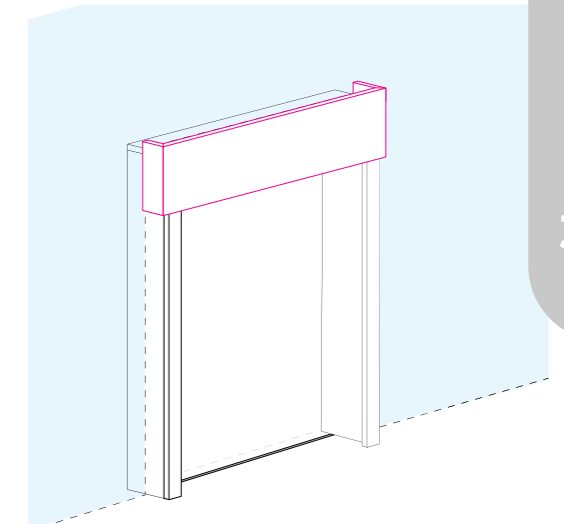
SEMI
20MM ABOVE BOARD W/RETURNS



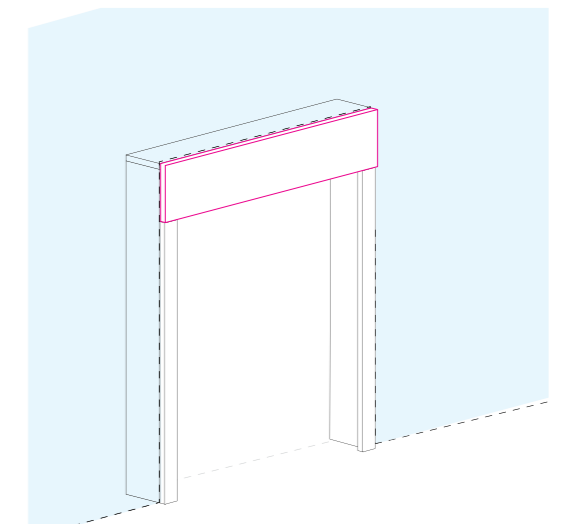
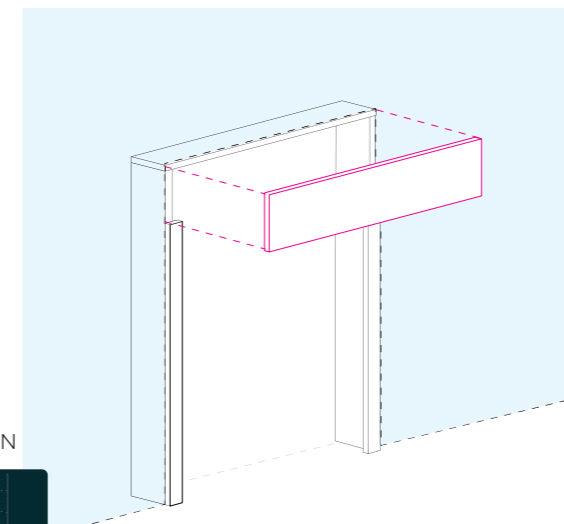
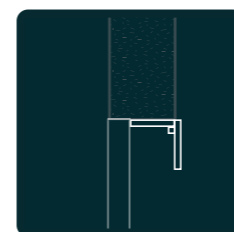
20



trim Pelmet returns after installation of side and top boards



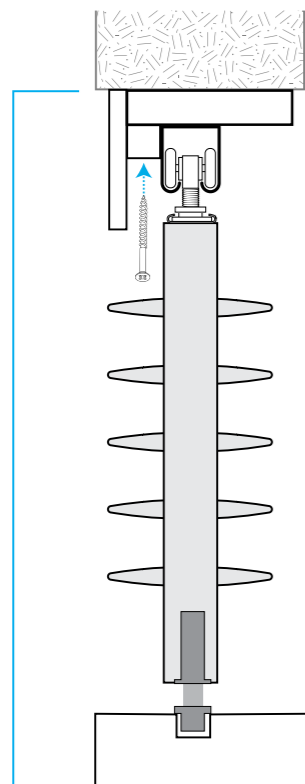
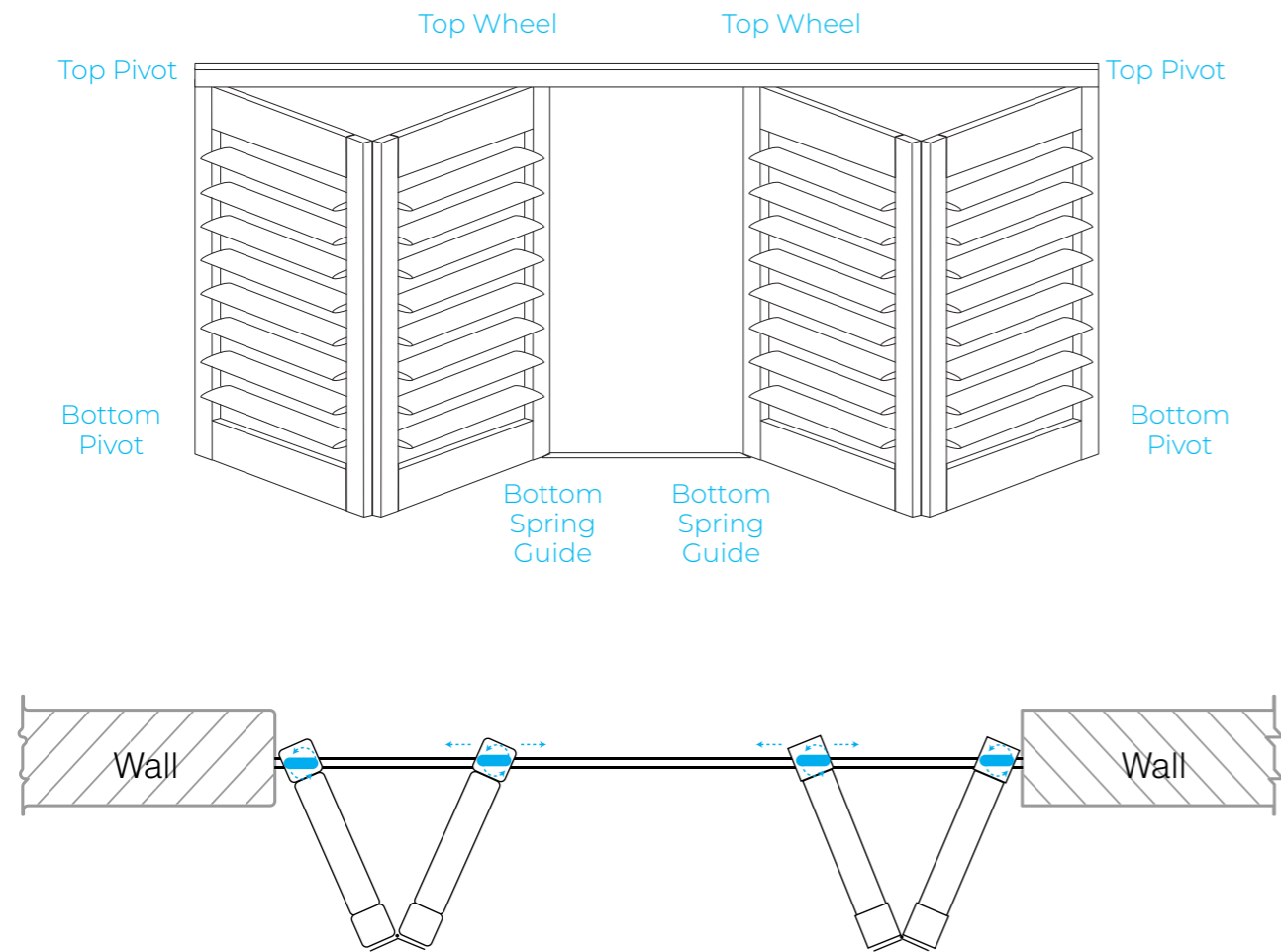
IN / DOUBLE
FRONT AND BACK NO RETURNS



DOUBLE
INTERNAL WALL OPTION NO RETURNS



BI FOLDS OPTIONS

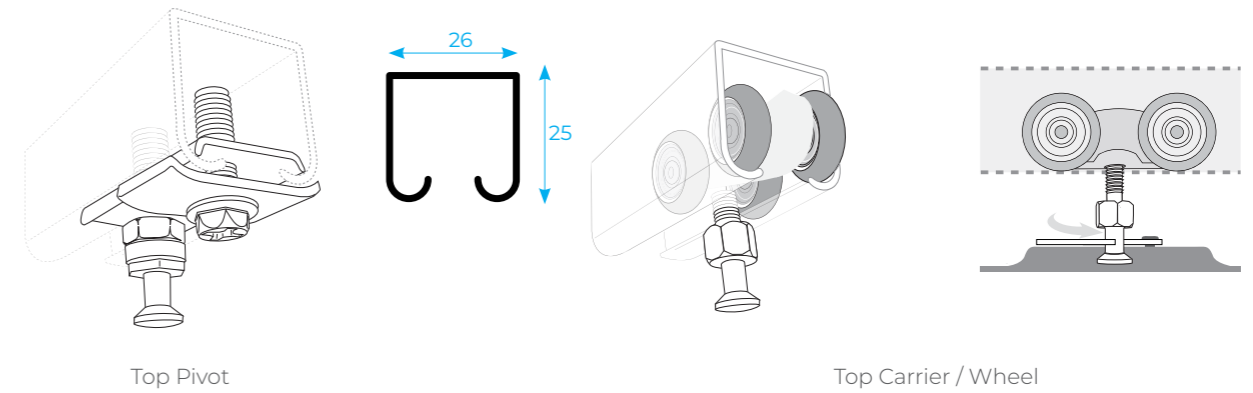


The minimum Frame depth needed for bi-folds is 100mm. This allows for the panels to pivot. If you are face fitting around the outside of an architrave order 120mm frame to allow for the thickness of the architrave.

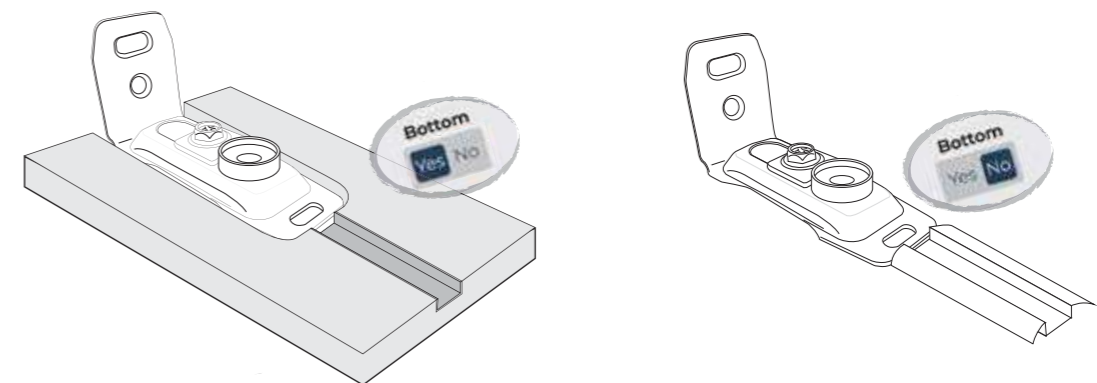
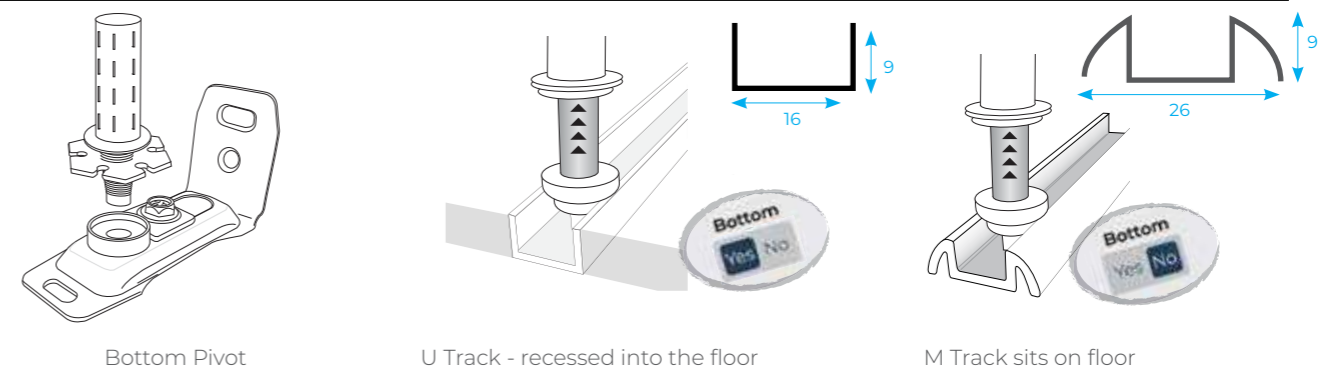


Top Rolling Track System (T25)

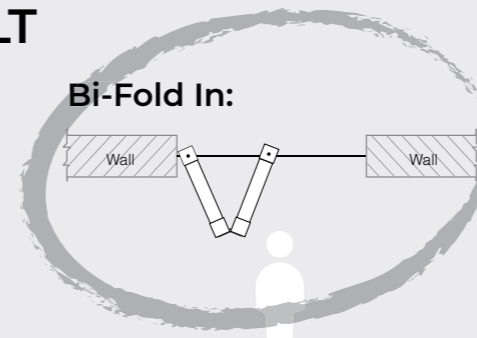
top track and Carrier



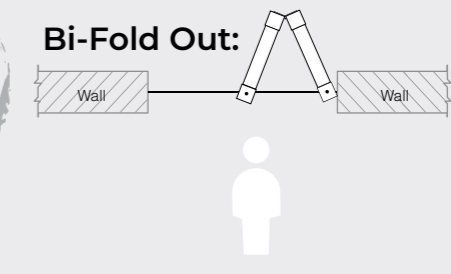
bottom track



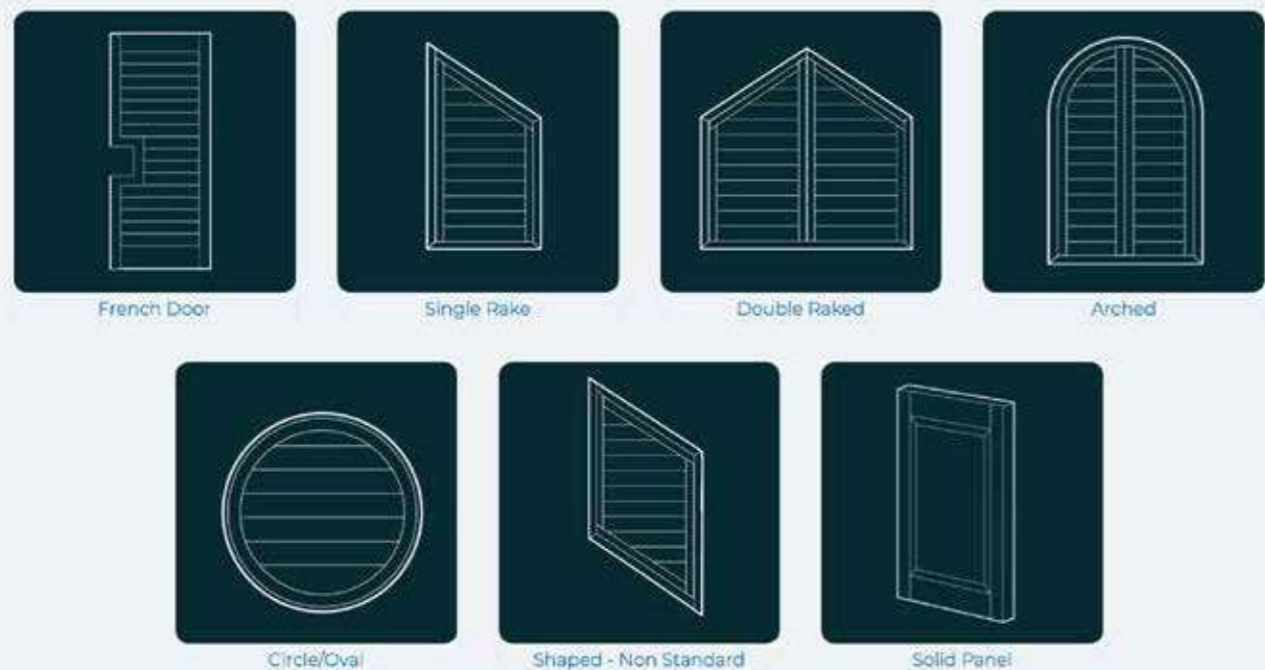
DEFAULT



SPECIAL ORDER REQUEST IN THE NOTES



SPECIALTY OPTIONS



Shape shutters are only available in Basswood and Thermo-Tec.



PREMIUM BASSWOOD



THERMO TEC

Ordering Specialty Shutters - providing a template

Not all Shaped shutter orders need templates. If the window is raked (All straight edges) or arched with a standard continuous arch it can be measured and drawn in a diagram.

• Always provide a diagram with your order.

• Make sure the diagram sizes match up with the order form and Template (if any).

• If the shutter needs a template.

Use one of the following materials (avoid anything that can shrink or crease).

- Good Quality Kraft / Butchers Paper
- Roller blind fabric
- 2-3mm thick MDF board

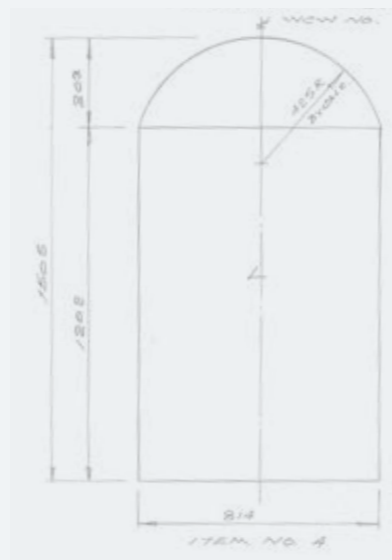
• How to handle the Template

- Never fold it! – Roll it up and send it in a cardboard tube.

- Make sure the template is in 1 piece – if you are joining pieces of material to make a template make sure they are securely joined before you measure the window. Joining them after the fact can cause issues.

• What should be on the template

- Company Name, Order name/No., Item number on order
- Mark the "Face" of the template
- Check and write the dimensions on the template. Make sure they agree with the order form.

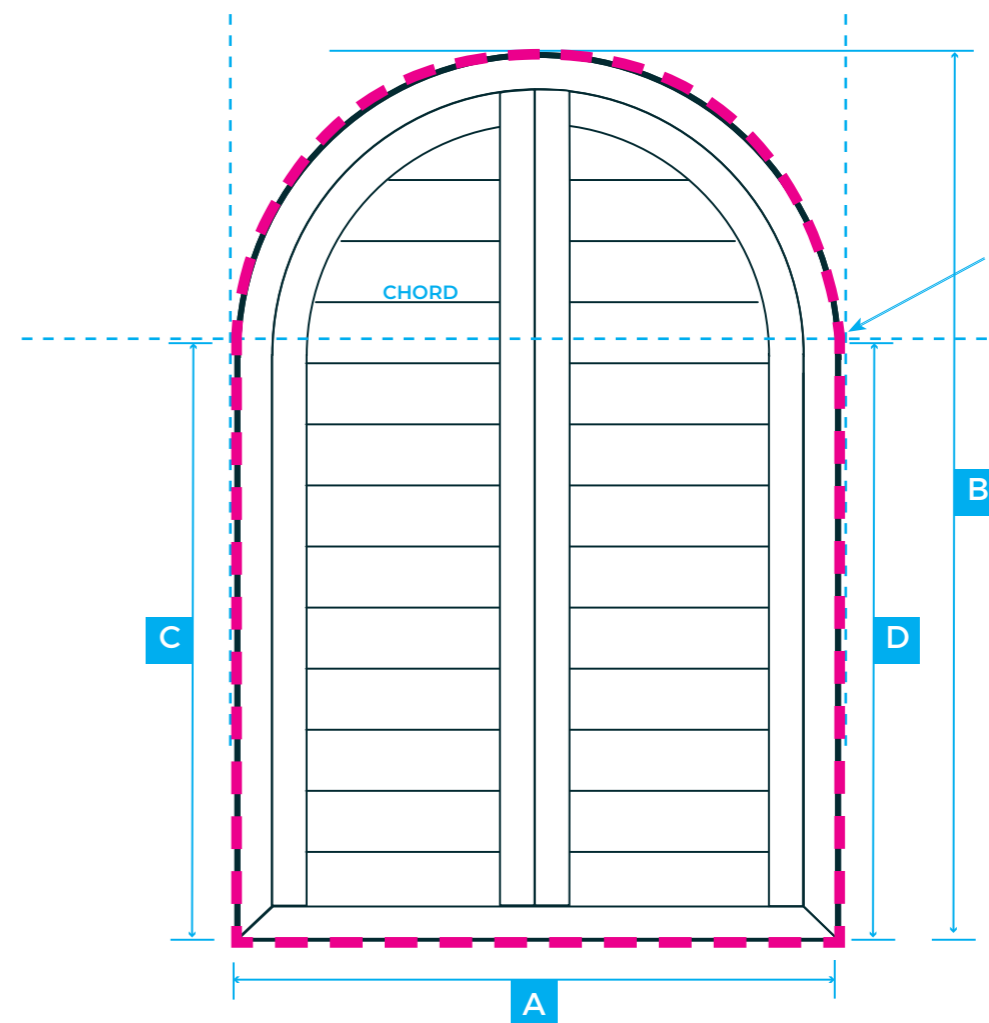


HINT?
A Picture is also very helpful.

You can send a picture of the window with the order. This will help us check if there are any omissions on the order.

SPECIALTY OPTIONS

MEASURING SPECIFICATION_ SUPPLYING A TEMPLATE

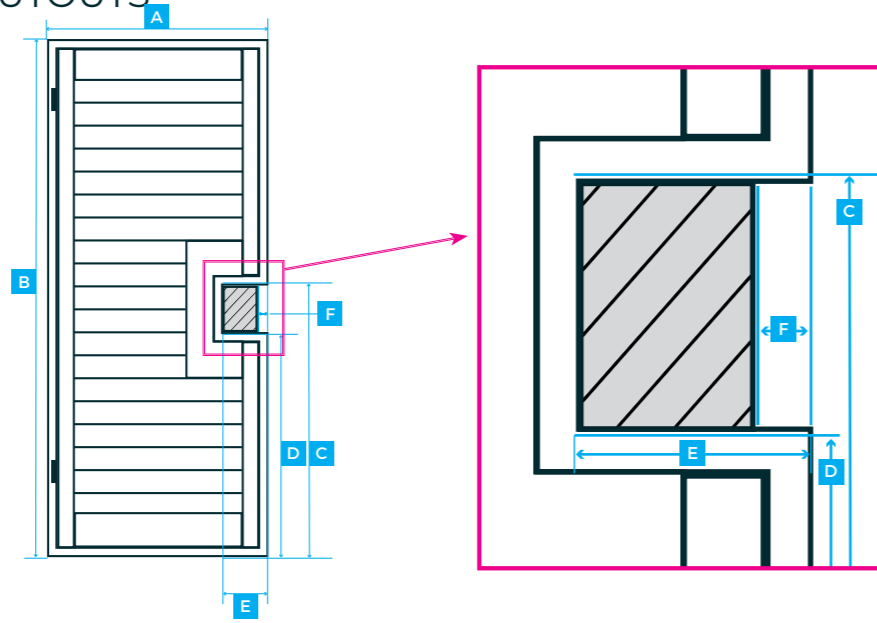


SUPPLY IMAGES_ IMAGE SPEAKS A THOUSAND WORDS



SPECIALTY OPTIONS

FRENCH DOORS CUTOUTS



SPECIFY MEASUREMENTS

A. Overall Width:	<input type="text" value="A Overall Width"/>	<ul style="list-style-type: none"> · A – Overall Width · B – Overall height · C – Height from bottom to top of cut out · D – Height from bottom to bottom of cut out · E – Width of cut out · F – width of rebate of backing plate (if any)
B. Overall height:	<input type="text" value="B Overall Height"/>	
C. Height to top edge:	<input type="text" value="C Height to top edge"/>	
D. Height to bottom edge:	<input type="text" value="D Height to bottom edge"/>	
E. Width of cutout:	<input type="text" value="E Width of cutout"/>	
F. Width of rebate:	<input type="text" value="F Width of rebate"/>	

Not confirmed

OPTIONS FRENCH DOOR

Cutout Block

A thin 3mm thick back plate that is at the back of the frame. Designed to allow the handle to operate and still block out the cutout section. If you only need part of the cutout block out you can enter the cutout block rebate in size "F" mentioned above.

Cutout type

Select if you want a Round or Square Cutout

Handle side

Choose what side the handle/cutout is on

HINT ?
Ask for CAD...

On the order details page just before you submit an order you can request we send you the factory CAD drawings before production begins. This is a good double check for you to make sure the order is correct.

Purchase Order:

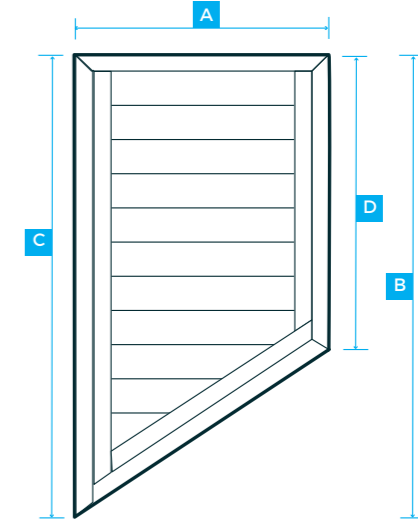
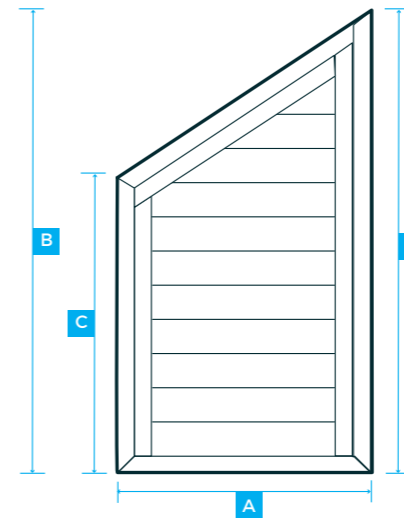
CAD Drawing: Not required for approval

Additional Notes:

SPECIALTY OPTIONS

TOP RAKED

BOTTOM RAKED



SPECIFY MEASUREMENTS

A. Overall Width:	<input type="text" value="A Overall Width"/>	<ul style="list-style-type: none"> · A – Overall Width · B – Overall height · C – Left Side Height · D – Right Side Height · E – Width (from the left) to opening height. <p><small>Hint: Make sure to check that the 90° right angle corners are actually 90°. Also send a diagram showing the sizes along each rake. This is a good check for the factory that all sizes are correct.</small></p>
B. Overall Height:	<input type="text" value="B Overall Height"/>	
C. Left Height:	<input type="text" value="C Left Height"/>	
D. Right Height:	<input type="text" value="D Right Height"/>	
E. Width of rebate:	<input type="text" value="E Width of rebate"/>	

Not confirmed

OPTIONS SHAPED BLADE END

Horizontal Stepped Blades
Available in Basswood and ThermoTec

- The rails are stepped so that the blades are straight cut and not shaped.
- Blades can rotate fully in both directions
- Use standard type blade pins – easily to change a blade

Horizontal Shaped Blades
Available in Basswood only

- Blades are shaped to suit the shape of the shutter
- Blades and rails are chamfered to allow the blade to rotate
 - If the shape is on the top half of the panel the chamfer will be on the back of the panel.
 - If the shape is on the bottom half of the panel the chamfer will be on the face of panel.
- You cannot fully rotate the blades. They will fully close and the amount the blades will be able to open depends on the shape.
- Special Pins are used
- If a blade is needed to be replaced, the original blade must be sent back to the factory.

Top Rake Bottom Rake
Choose if the rake is at the bottom or the top.

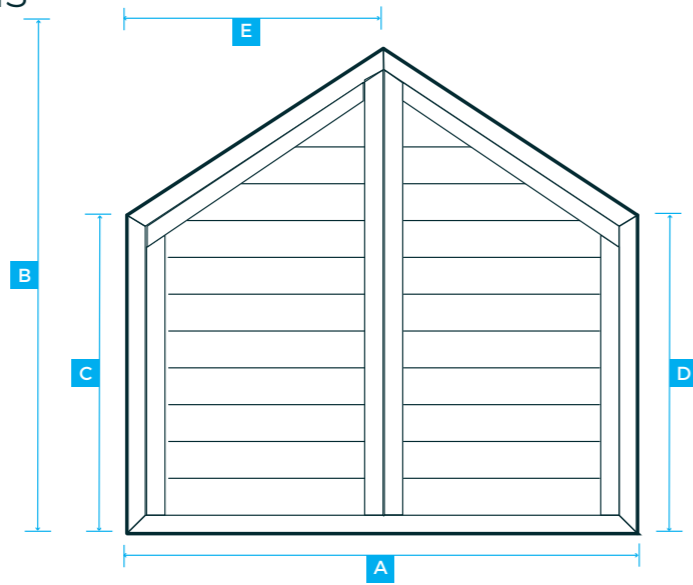
L - FRAME VS Z - FRAME

Z Frame can give up to 40mm tolerance around the frame for those tricky jobs!

HINT ?
Z frames make it EASY

SPECIALTY OPTIONS

DOUBLE RAKED OPTIONS




SPECIFY MEASUREMENTS

A. Width:	<input type="text" value="A Width"/>	· A – Overall Width
B. Overall Height:	<input type="text" value="B Overall Height"/>	· B – Overall height
C. Left Height:	<input type="text" value="C Left Height"/>	· C – Left Side Height
D. Right Height:	<input type="text" value="D Right Height"/>	· D – Right Side Height
E. Width to Opening Height:	<input type="text" value="E Width to Opening Height"/>	· E – Width (from the left) to opening height.

Not confirmed


Hint: Make sure to check that the 90° right angle corners are actually 90°. Also send a diagram showing the sizes along each rake. This is a good check for the factory that all sizes are correct.

OPTIONS SHAPED BLADE END



Horizontal Stepped Blades
Available in Basswood and ThermoTec

- The rails are stepped so that the blades are straight cut and not shaped.
- Blades can rotate fully in both directions
- Use standard type blade pins
- easily to change a blade



Horizontal Shaped Blades
Available in Basswood only

- Blades are shaped to suit the shape of the shutter
- Blades and rails are chamfered to allow the blade to rotate
 - If the shape is on the top half of the panel the chamfer will be on the back of the panel.
 - If the shape is on the bottom half of the panel the chamfer will be on the face of panel.
- You cannot fully rotate the blades. They will fully close and the amount the blades will be able to open depends on the shape.
- Special Pins are used
- If a blade is needed to be replaced, the original blade must be sent back to the factory.

HINT ?
Ask for CAD...

On the order details page just before you submit an order you can request we send you the factory CAD drawings before production begins. This is a good double check for you to make sure the order is correct.

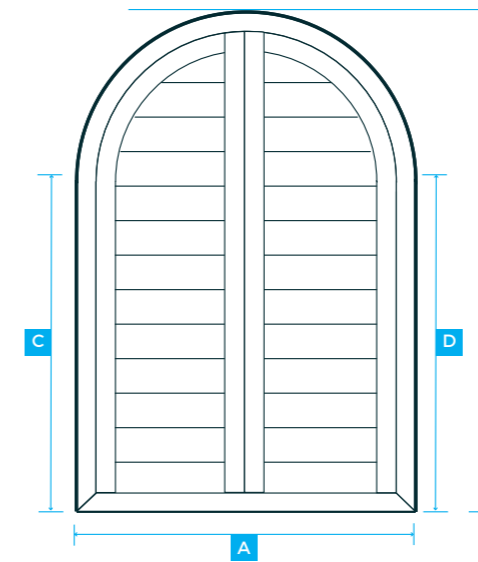
Purchase Order:

CAD Drawing: Not required for approval
 Required prior to approval

Additional Notes:

SPECIALTY OPTIONS

ARCHED OPTIONS



HINT ?
Template EXAMPLES



Diagram ONLY
Arch with standard radius

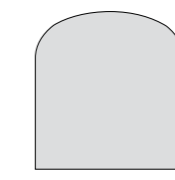


Diagram and Template required
Arch with multiple radius' and / or asymmetrical arch


SPECIFY MEASUREMENTS

A. Width:	<input type="text" value="A Width"/>	· A – Overall Width
B. Overall Height:	<input type="text" value="B Overall Height"/>	· B – Overall height
C. Left Height:	<input type="text" value="C Left Height"/>	· C & D – Height on the sides to where the arch starts to breakaway (spring point). · This could be 0mm on a simple arch. · This can be measured by holding a straight edge along the side of the reveal.
D. Right Height:	<input type="text" value="D Right Height"/>	

Not confirmed


Hint: If the Arch is a standard continuous arch with one standard radius. A Template may not be needed. If it has multiple radiuses a template is recommended.

OPTIONS SHAPED BLADE END




Horizontal Stepped Blades
Available in Basswood and ThermoTec

- The rails are stepped so that the blades are straight cut and not shaped.
- Blades can rotate fully in both directions
- Use standard type blade pins
- Easily to change a blade



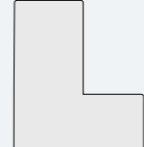
Horizontal Shaped Blades
Available in Basswood only

- Blades are shaped to suit the shape of the shutter
- Blades and rails are chamfered to allow the blade to rotate
 - If the shape is on the top half of the panel the chamfer will be on the back of the panel.
 - If the shape is on the bottom half of the panel the chamfer will be on the face of panel.
- You cannot fully rotate the blades. They will fully close and the amount the blades will be able to open depends on the shape.
- Special Pins are used
- If a blade is needed to be replaced, the original blade must be sent back to the factory.



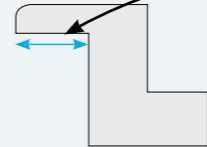
Sunburst blades
Available in Basswood only

- Blades are custom shaped and pivot from a centre point (like the spokes on a bicycle tire)
- All blades rotate individually
- No tilt rod to connect the blades.



L - FRAME

VS



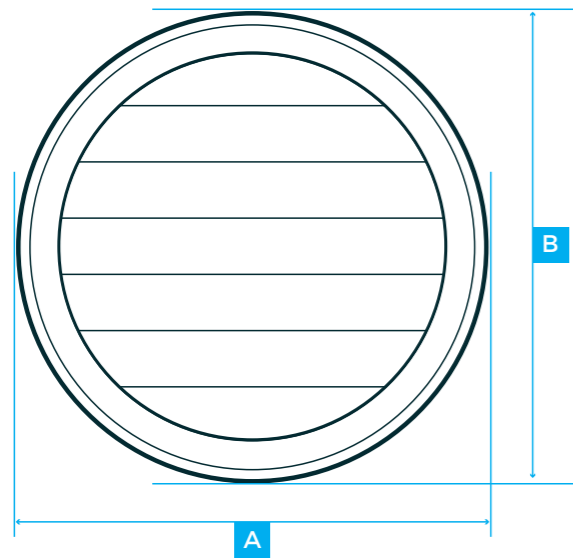
Z - FRAME

Z Frame can give up to 40mm tolerance around the frame for those tricky jobs!

HINT ?
Z frames make it EASY

SPECIALTY OPTIONS

CIRCLE / OVAL OPTIONS



HINT ?
Template required

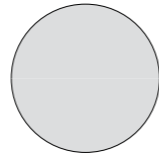


Diagram ONLY
Circle with standard radius

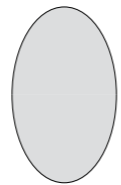


Diagram and Template required
Circle with multiple radius' and / or asymmetrical arch

SPECIFY MEASUREMENTS

A. Width:

B. Height:

Not confirmed

OPTIONS SHAPED BLADE END



Horizontal Stepped Blades
Available in Basswood and ThermoTec

- The rails are stepped so that the blades are straight cut and not shaped.
- Blades can rotate fully in both directions
- Use standard type blade pins
- easily to change a blade



Horizontal Shaped Blades
Available in Basswood only

- Blades are shaped to suit the shape of the shutter
- Blades and rails are chamfered to allow the blade to rotate
 - If the shape is on the top half of the panel the chamfer will be on the back of the panel.
 - If the shape is on the bottom half of the panel the chamfer will be on the face of panel.
- You cannot fully rotate the blades. They will fully close and the amount the blades will be able to open depends on the shape.
- Special Pins are used
- If a blade is needed to be replaced, the original blade must be sent back to the factory.

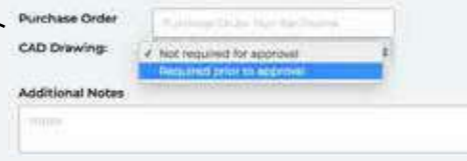


Sunburst blades
Available in Basswood only

- Blades are custom shaped and pivot from a centre point (like the spokes on a bicycle tire)
- All blades rotate individually
- no tilt rod to connect the blades.

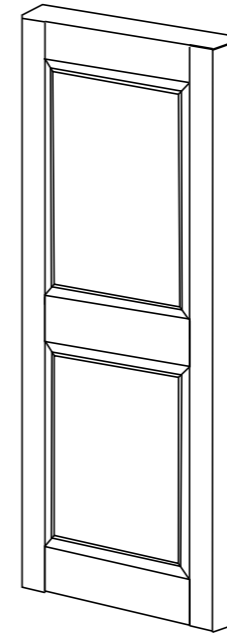
HINT ?
Ask for CAD...

On the order details page just before you submit an order you can request we send you the factory CAD drawings before production begins. This is a good double check for you to make sure the order is correct.



SPECIALTY OPTIONS

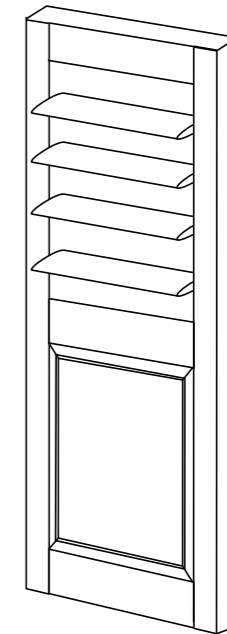
FULL SOLID PANEL



Full Solid panel

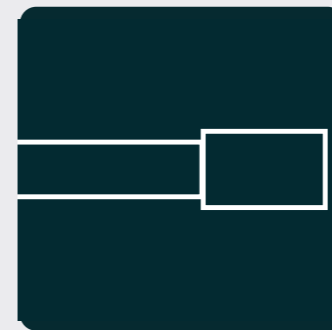
Solid infills where blades typically are. The rail and stiles are assembled the same as standard panels.

HALF SOLID PANEL



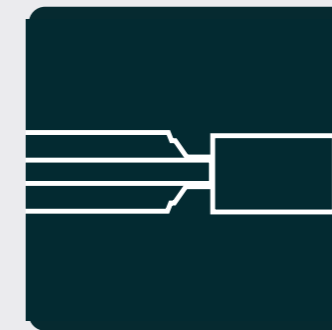
Half Solid panel

Typically the bottom half has the solid infills and the top half as standard blades.



FLAT Shaker Style

Solid Basswood infills flat on both sides. Available in painted and stained.



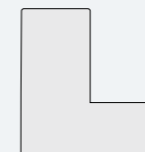
RAISED Double Sided

Solid Basswood infills flat on both sides. Available in painted and stained.

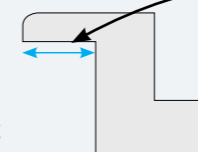


RAISED Single Sided

MDF infills with a bevel edge around the edge of the infill on the face of the panel and a flat finish on the back of the panel. Available in painted only.



L - FRAME
VS
Z - FRAME



Z Frame can give up to 40mm tolerance around the frame for those tricky jobs!

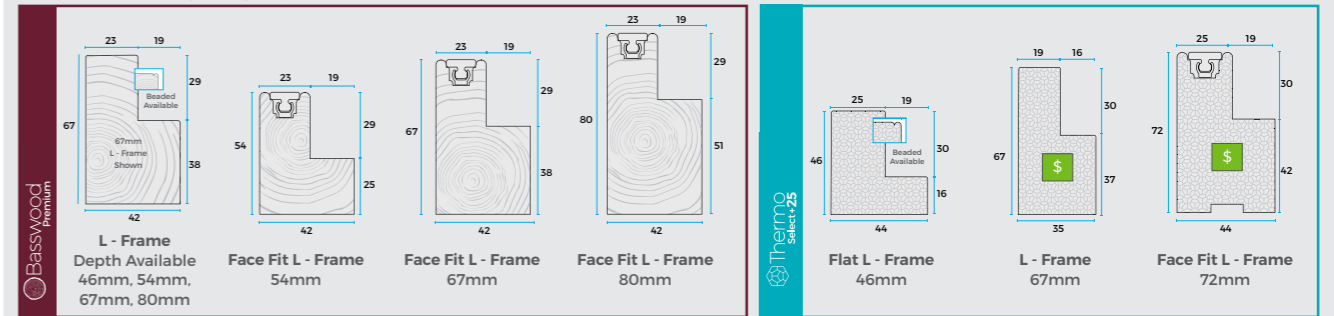
HINT ?
Z frames make it EASY

SPECIFICATION COMPARISON SHEET

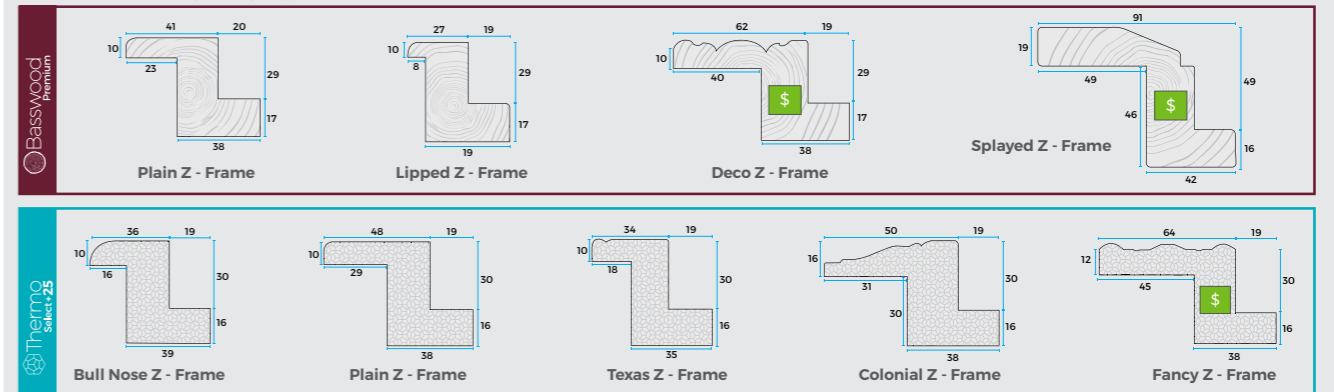
General Information	Basswood Premium	Thermo Select+25	Thermo TEC
Material	Timber Shutter	ThermoPoly Shutter	Hybrid - Basswood & ThermoPoly
Construction	finger joined, mortise and tenon assembly	mortise and tenon assembly and solid stiles. aluminium support - all blades, all stiles	finger joined, mortise and tenon assembly alum support - all blades
Application	indoor, non-wet areas	indoor, all areas	indoor, non-wet areas
Lead Times	6 - 8 weeks	6 - 8 weeks	6 - 8 weeks
Warranty			
Paint, Construction and Material	PAINTED 5yr paint, 5yr construction*	THERMO 25 10yr paint, 25yr construction*	PAINTED 5yr paint, 5yr construction*
	STAINED 3yr paint, 5 yr construction*	SELECT 5yr paint, 20yr construction*	
Colours			
Painted (Standard range)	20 painted colours	THERMO 25 = 15 colours SELECT = 4 colours	18 painted colours
Stained & Painted Black	11 stain colours & painted black	not available	not available
Custom Paint Colour	available	THERMO 25 light colours only available SELECT - not available	light colours only available
Paint Type			
Paint Type	Valspar 2 pac poly	THERMO 25 - Valspar 2 pac poly SELECT - water based	Valspar 2 pac poly
Stain	hand stained then clear lacquered	not available	not available
Options			
Tiltrod	clearview, centre, offset and internal tilt	clearview, centre, offset and internal tilt	clearview, centre, offset and internal tilt
Louvre Shapes	flat & aerofoil (elliptical)	aerofoil (elliptical) only	aerofoil (elliptical) only
Louvre Sizes (mm)	63mm 89mm 114mm	63mm 89mm 114mm	63mm 89mm 114mm
Stiles	51mm Beaded / Flat 57mm Flat 90mm Flat	51mm Flat 51mm Beaded	51mm Beaded / Flat 57mm Flat 90mm Flat
Stiles Designs	Square Rabbet D-Mould	Square Rabbet D-Mould	Square Rabbet D-Mould
Solid Panels	available	not available	not available
Shapes			
Raked- Uneven sides, Other shapes (see pricing)	square blades standard. shaped available.	available with square blades only	available with square blades only
Mounting options			
Bay post (135 degrees) (surcharge)	available custom angle posts available on request	available (posts are basswood) custom angle posts available on request	available (posts are basswood) custom angle posts available on request
Corner post (90 degrees) (surcharge)	available	available (posts are basswood)	available (posts are basswood)
Bi fold/sliders (see manual and pricing)	available	available (all boards are basswood)	available (all boards are basswood)
Cafe Shutters	available	available	available
Tier on Tier (surcharge)	available	available	available

General Information	Basswood Premium	Thermo Select+25	Thermo TEC
Specifications	Timber Shutter	ThermoPoly Shutter	Hybrid - Basswood & ThermoPoly
Hinged panel - Max width standard	950mm	900mm	900mm
- Max width 15mm blades + 51mm stiles	1050mm	not available	not available
- Max width 15mm blades + 57mm stiles	1100mm	not available	not available
Bi fold panel max width (with track)	650mm	600mm	600mm
Double hinged max size per pair of panels	1200mm 1.8m ²	900mm 1.35m ²	900mm 1.35m ²
Sliding panels max width	1050mm	900mm	900mm
Sliding panels with centre stile max width	1250mm	not available	1250mm
Max panel height	3000mm	2400mm	2400mm
Mid-rail required panels over height	1800mm	1500mm	1600mm
Second Midrail required	over 2400mm drop	not available	not available
Shortest possible panel - (check with us for blade quantity)	260mm	260mm	260mm
Narrowest possible panel	152mm	180mm	180mm
Clear View Tilt Rod Max Length	1200mm	1200mm	1200mm
Internal Tilt Max Panel Width	900mm	900mm	900mm
Internal Tilt Max Height without Tilt Split	12 louvres	12 louvres	12 louvres

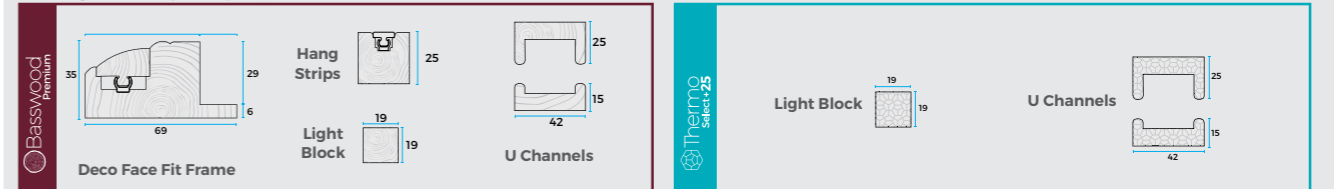
L FRAME OPTIONS



Z FRAME OPTIONS



OTHER OPTIONS



Standard Profiles / Surcharge Options

V3 02 2022

V3 02 2022

 *Bayview*TM

